

**TABLE OF CONTENTS****AIR CONDITIONING AND HEATING SYSTEM**

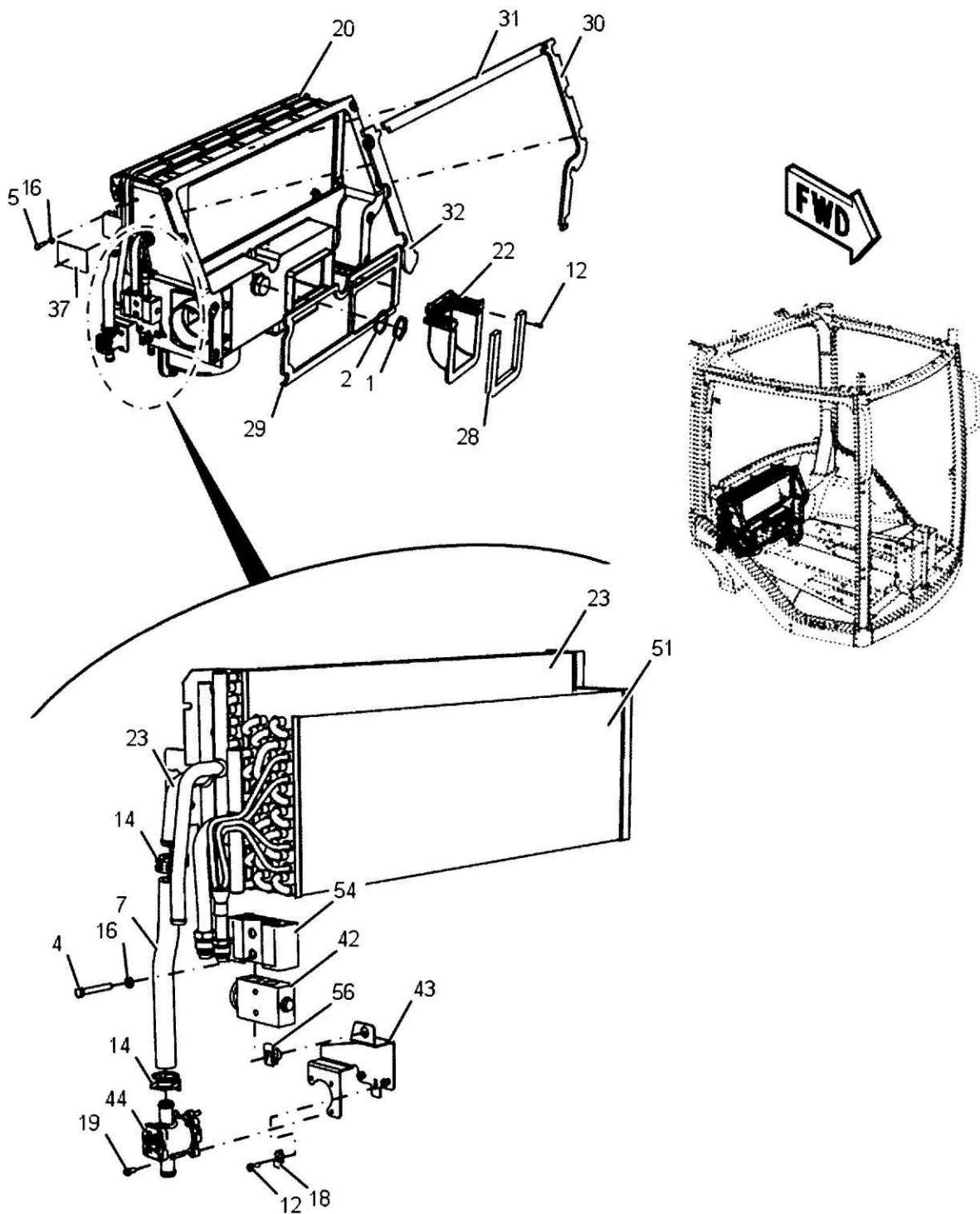
578114D1 - AIR CONDITIONER GROUP - BASIC	11-0001
578114D1 - AIR CONDITIONER GROUP - BASIC	11-0002
578115D1 - AIR CONDITIONER GROUP - DELUXE	11-0003
578115D1 - AIR CONDITIONER GROUP - DELUXE	11-0004
578115D1 - AIR CONDITIONER GROUP - DELUXE	11-0005
554235D1 - CONDITIONER MOUNTING GROUP - BASIC	11-0006
554234D1 - CONDITIONER MOUNTING GROUP - DELUXE	11-0007
582573D1 - HVAC LINES GROUP - HEATING, VENTILATION AND AIR CONDITIONING	11-0008
582573D1 - HVAC LINES GROUP - HEATING, VENTILATION AND AIR CONDITIONING	11-0009
589926D1 - HVAC LINES GROUP - 2017 2017	11-0010
589926D1 - HVAC LINES GROUP - 2017 2017	11-0011
583190D1 - COVER ASSEMBLY - HEATING, VENTILATION AND AIR CONDITIONING	11-0012
563419D2 - AIR CONDITIONER COMPRESSOR	11-0013
574635D1 - COMPRESSOR - AIR CONDITIONER	11-0014
532010D1 - BASIC AIR CONDITIONER KIT, WITH BLOWER HOUSING AND FAN	11-0015
532013D1 - DELUXE AIR CONDITIONER KIT WITH BLOWER HOUSING, FAN, AND VALVE	11-0016
503578D2 - HVAC VALVE KIT SOME TRACTORS REQUIRE ADAPTER HARNESS AG333220 NOT INCLUDED IN THIS WATER VALVE KIT	11-0017
505678D1 - FAN BLOWER KIT	11-0018
534475D1 - AIR CONDITIONER HOSE	11-0019
544033D1 - AIR CONDITIONER HOSE	11-0020
544040D1 - AIR CONDITIONER TUBE	11-0021
544041D1 - AIR CONDITIONER TUBE	11-0022
547908D1 - AIR CONDITIONER DRAIN LINES INSTALLATION	11-0023
560474D1 - BASIC AIR AND TEMPERATURE CONTROL GROUP	11-0024
597149D1 - BASIC AIR AND TEMPERATURE CONTROL GROUP	11-0025
560476D1 - DELUXE AIR AND TEMPERATURE CONTROL GROUP	11-0026
555105D1 - TXV ADAPTER TUBE ASSEMBLY	11-0027
555106D1 - TXV ADAPTER TUBE ASSEMBLY	11-0028
522718D1 - FILTER DUCT GROUP	11-0029
203-6965 - ADAPTER, LEFT HAND	11-0030
201-1186 - ADAPTER, RIGHT HAND	11-0031
502267D1 - THERMISTOR KIT	11-0032
562805D1 - MANUAL WATER VALVE KIT APPLIES TO ALL TRACTORS WITH BASIC HVAC.	11-0033
562804D1 - MANUAL WATER VALVE INSTALLATION	11-0034
559895D1 - PRESSURE SWITCH ASSEMBLY	11-0035
539951D1 - PARTS BAG	11-0036

593455D1 - PLUG GROUP - 2017  
2017

11-0037



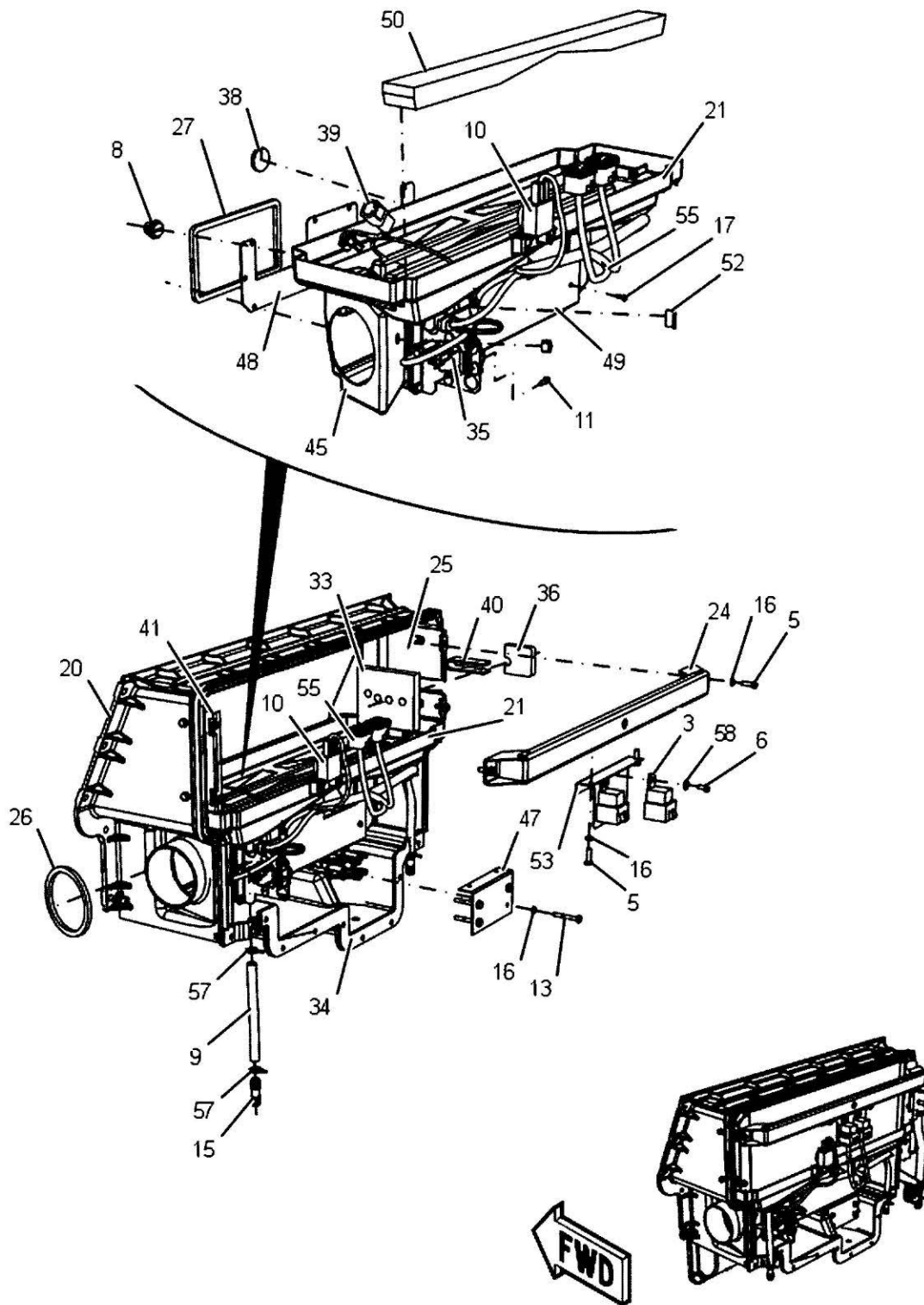
578114D1-1-01



**578114D1 - AIR CONDITIONER GROUP - BASIC**

ITEM	PART NUMBER	QTY	DESCRIPTION COMMENTS	TECHNICAL SPECIFICATION
1	71399226	1	PANEL MOUNT NUT	
2	700720550	1	LOCKWASHER	1-45/64" X 2-5/64" X 1/16"
4	400205X1	1	HEXAGONAL HEAD BOLT	M6 X 1 X 40MM, CL10.9
5	400221X1	10	HEXAGONAL HEAD BOLT	M6 X 1 X 20MM, CL10.9
7	400294X1	15	HOSE	15.9MM ID
12	400305X1	8	SELF-TAPPING SCREW	#8-32 X 1/2"
14	400308X1	2	HOSE CLAMP	
16	400310X1	15	FLAT WASHER	6.6MM ID X 12MM OD X 2MM
18	402495X1	1	CABLE CLIP	
19	402652X1	3	HEXAGONAL HEAD BOLT	#8-16 X 3/8"
20	501701D2	1	CASE	
22	501706D1	1	AIR DUCT	FRESH AIR
23	501708D1	1	HEATER CORE	COIL ASY.
28	501720D2	1	GASKET	
29	501721D2	1	GASKET	
30	501722D2	1	GASKET	
31	501723D2	1	GASKET	
32	501724D2	1	GASKET	
37	501764D1	1	LABEL	
42	544026D1	1	EXPANSION VALVE	
43	552955D1	1	BRACKET	
44	560588D1	1	VALVE WATER	
	582673D1	1	BLOWER NOT ILLUSTRATED	
51	582680D1	1	COIL	
54	583111D1	1	INSULATION	
56	CH116-5763	1	U-NUT	M8 X 1.25

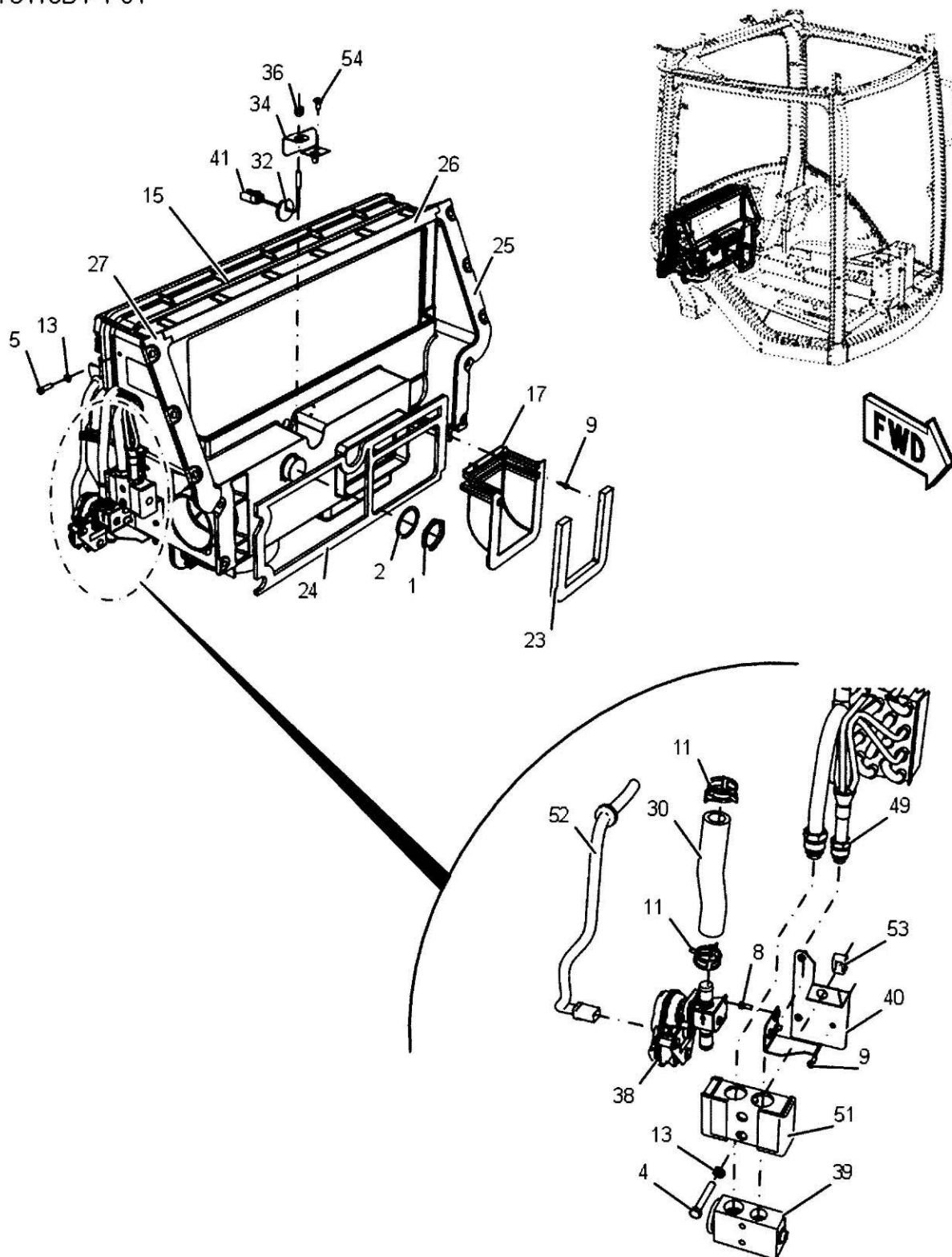
578114D1-1-02



**578114D1 - AIR CONDITIONER GROUP - BASIC**

ITEM	PART NUMBER	QTY	DESCRIPTION COMMENTS	TECHNICAL SPECIFICATION
3	AG515756	2	RELAY	4 PIN
5	400221X1	10	HEXAGONAL HEAD BOLT	M6 X 1 X 20MM, CL10.9
6	400223X1	4	HEXAGONAL HEAD BOLT	M6 X 1 X 12MM, CL10.9
8	400297X1	1	HEX HEAD PLUG	3/4"-16
9	400298X1	4	TUBE	
10	400299X1	1	THERMO SWITCH THERMOSTAT	
11	400302X1	2	HEXAGONAL HEAD BOLT	M5 X .8 X 12MM, CL10.9
13	400307X1	4	HEXAGONAL HEAD BOLT	M6 X 1.0 X 45MM
15	400309X1	2	CONNECTOR	
16	400310X1	15	FLAT WASHER	6.6MM ID X 12MM OD X 2MM
17	402238X1	8	SCREW	M4X0.70X12,PAN,4.8ZN
20	501701D2	1	CASE	
21	501705D1	1	DRAIN PAN	
24	501713D1	1	BRACKET	
25	501714D1	1	RETAINER	
26	501718D1	2	GASKET	
27	501719D1	1	GASKET	
33	501725D1	1	GASKET	
34	501726D1	1	GASKET	
35	501728D1	1	RESISTOR	
36	501737D1	1	GASKET	
38	502036D1	1	GASKET	
39	502267D1	1	KIT	THERMISTOR
40	502528D1	1	TAPE	
41	505416D1	1	RETAINER	
45	582672D1	1	HOUSING	
	582673D1	1	BLOWER NOT ILLUSTRATED	
47	582676D1	1	BRACKET	
48	582677D1	1	BRACKET ASSY.	
49	582678D1	1	BRACKET ASSY.	
50	582679D1	1	INSULATION	
52	582681D1	1	PLUG	
53	583110D1	1	BRACKET	
55	583137D1	1	HARNESS	
57	CH3S-5096	4	HOSE CLAMP	
58	CH8T-4205	2	FLAT WASHER	7.2MM X 14.5MM X 2MM

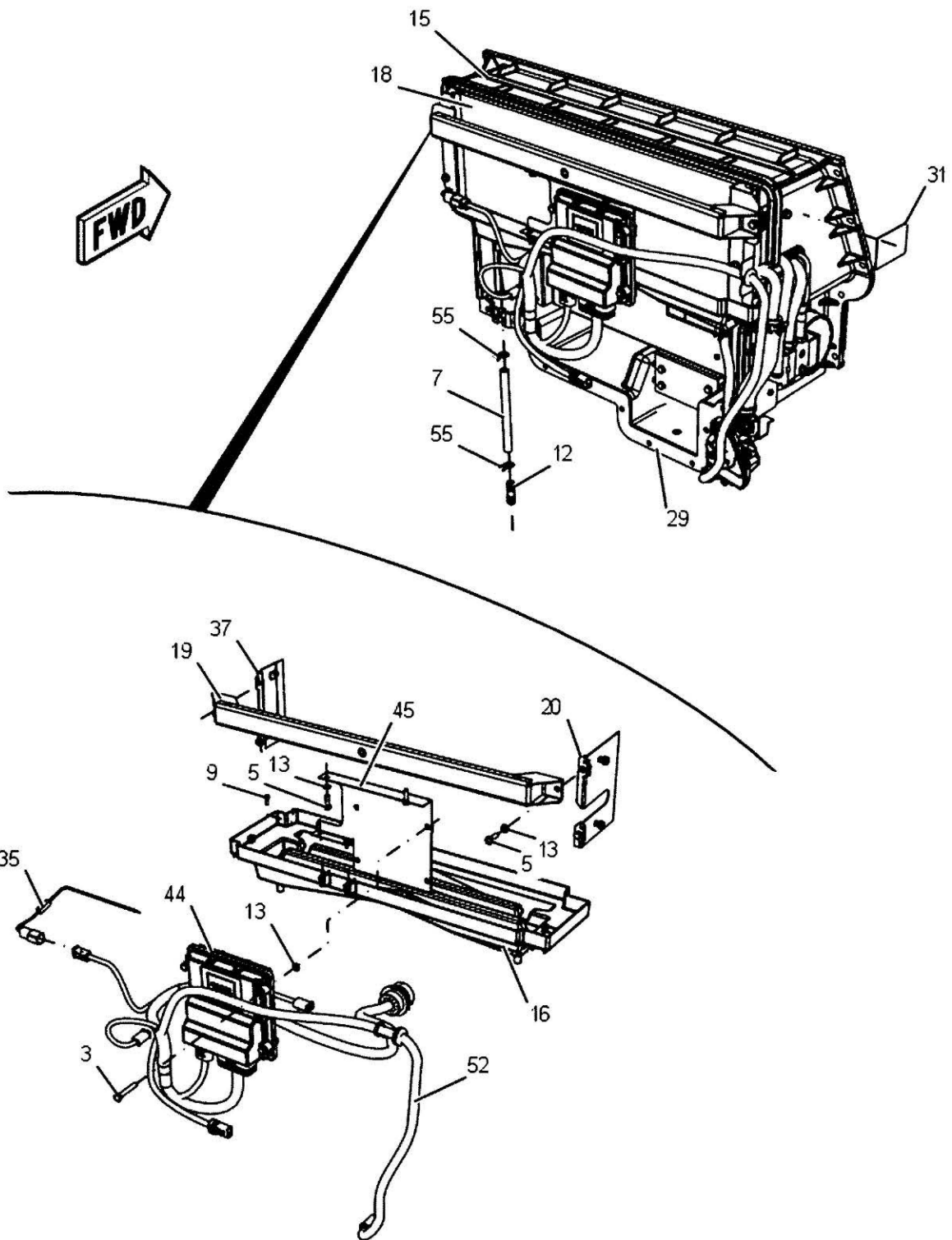
578115D1-1-01



**578115D1 - AIR CONDITIONER GROUP - DELUXE**

ITEM	PART NUMBER	QTY	DESCRIPTION COMMENTS	TECHNICAL SPECIFICATION
1	71399226	1	PANEL MOUNT NUT	
2	700720550	1	LOCKWASHER	1-45/64" X 2-5/64" X 1/16"
4	400205X1	1	HEXAGONAL HEAD BOLT	M6 X 1 X 40MM, CL10.9
5	400221X1	10	HEXAGONAL HEAD BOLT	M6 X 1 X 20MM, CL10.9
8	400302X1	2	HEXAGONAL HEAD BOLT	M5 X .8 X 12MM, CL10.9
9	400305X1	8	SELF-TAPPING SCREW	#8-32 X 1/2"
11	400308X1	2	HOSE CLAMP	
13	400310X1	19	FLAT WASHER	6.6MM ID X 12MM OD X 2MM
15	501701D2	1	CASE	
17	501706D1	1	AIR DUCT	FRESH AIR
23	501720D2	1	GASKET	
24	501721D2	1	GASKET	
25	501722D2	1	GASKET	
26	501723D2	1	GASKET	
27	501724D2	1	GASKET	
30	501738D1	-	HEATER HOSE BULK:150 MM	19MM ID, CM BULK
32	502036D1	1	GASKET	
34	504797D1	1	MOUNTING BRACKET	
36	504804D1	2	WIRE RETAINER	
38	537274D1	1	WATER VALVE	
39	544026D1	1	EXPANSION VALVE	
40	549820D2	1	BRACKET	ASM
41	563740D1	2	TEMPERATURE SENSOR	
	582673D1	1	BLOWER NOT ILLUSTRATED	
49	582680D1	1	COIL	
51	583111D1	1	INSULATION	
52	583138D1	1	HARNESS HEATING VENTILATION AND AIR CONDITIONING	
53	CH116-5763	1	U-NUT	M8 X 1.25
54	CH217-5909	2	SELF-TAPPING SCREW	1/4"-15 X 12.7MM

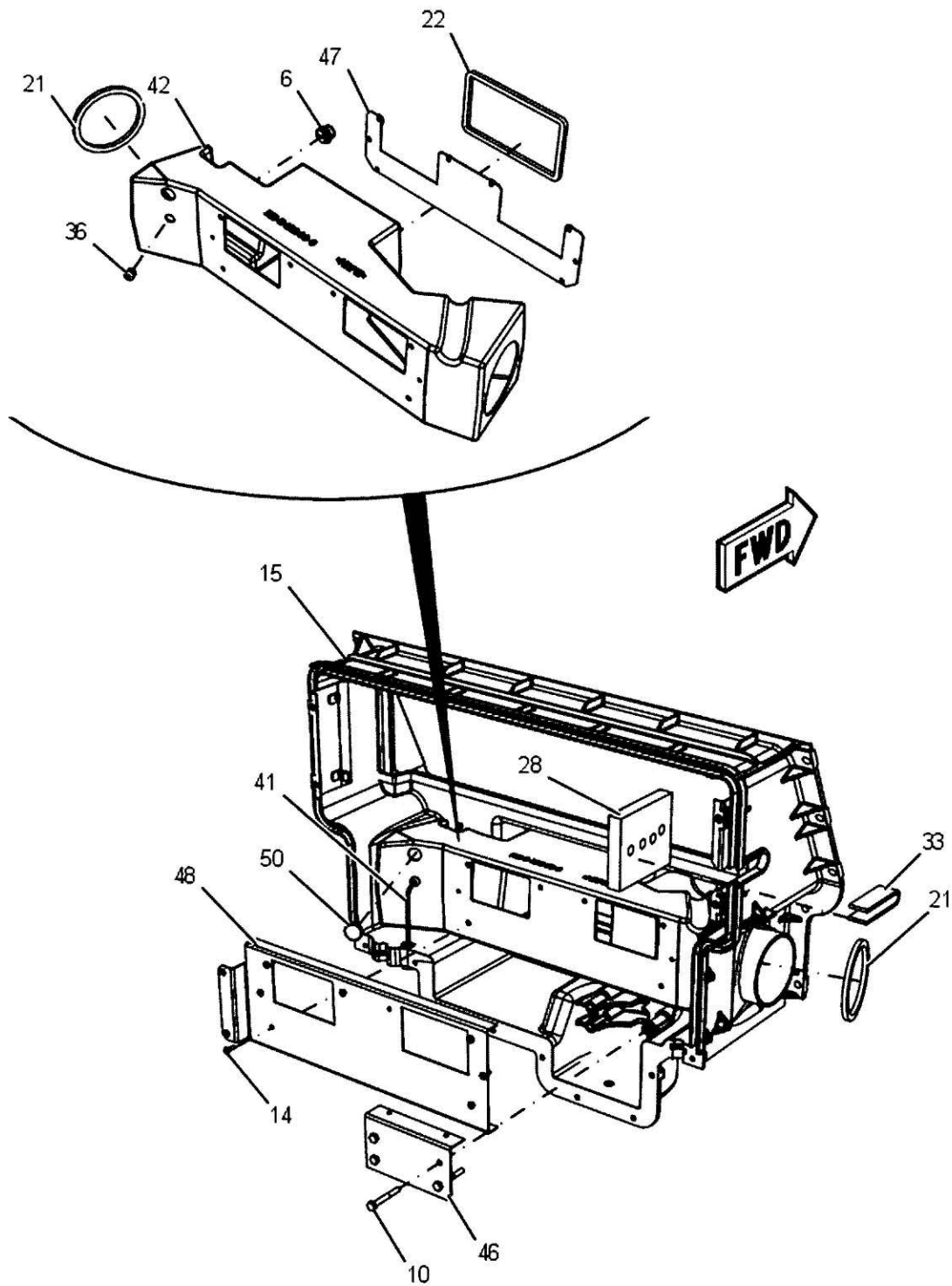
578115D1-1-02



**578115D1 - AIR CONDITIONER GROUP - DELUXE**

ITEM	PART NUMBER	QTY	DESCRIPTION COMMENTS	TECHNICAL SPECIFICATION
3	400185X1	4	HEX SOCKET HEAD BOLT	M6 X 1 X 35MM, CL10.9
5	400221X1	10	HEXAGONAL HEAD BOLT	M6 X 1 X 20MM, CL10.9
7	400298X1	4	TUBE	
9	400305X1	8	SELF-TAPPING SCREW	#8-32 X 1/2"
12	400309X1	2	CONNECTOR	
13	400310X1	19	FLAT WASHER	6.6MM ID X 12MM OD X 2MM
15	501701D2	1	CASE	
16	501705D1	1	DRAIN PAN	
18	501708D1	1	HEATER CORE	COIL ASSY.
19	501713D1	1	BRACKET	
20	501714D1	1	RETAINER	
29	501726D1	1	GASKET	
31	501764D1	1	LABEL	
35	504800D1	1	SENSOR	
37	505416D1	1	RETAINER	
	582673D1	1	BLOWER NOT ILLUSTRATED	
44	582674D1	7	CONTROL MODULE WATER VALVE ELECTRONIC CONTROL UNIT	
45	582675D1	1	BRACKET ASSY.	
52	583138D1	1	HARNESS	
55	CH3S-5096	4	HOSE CLAMP	

578115D1-1-03

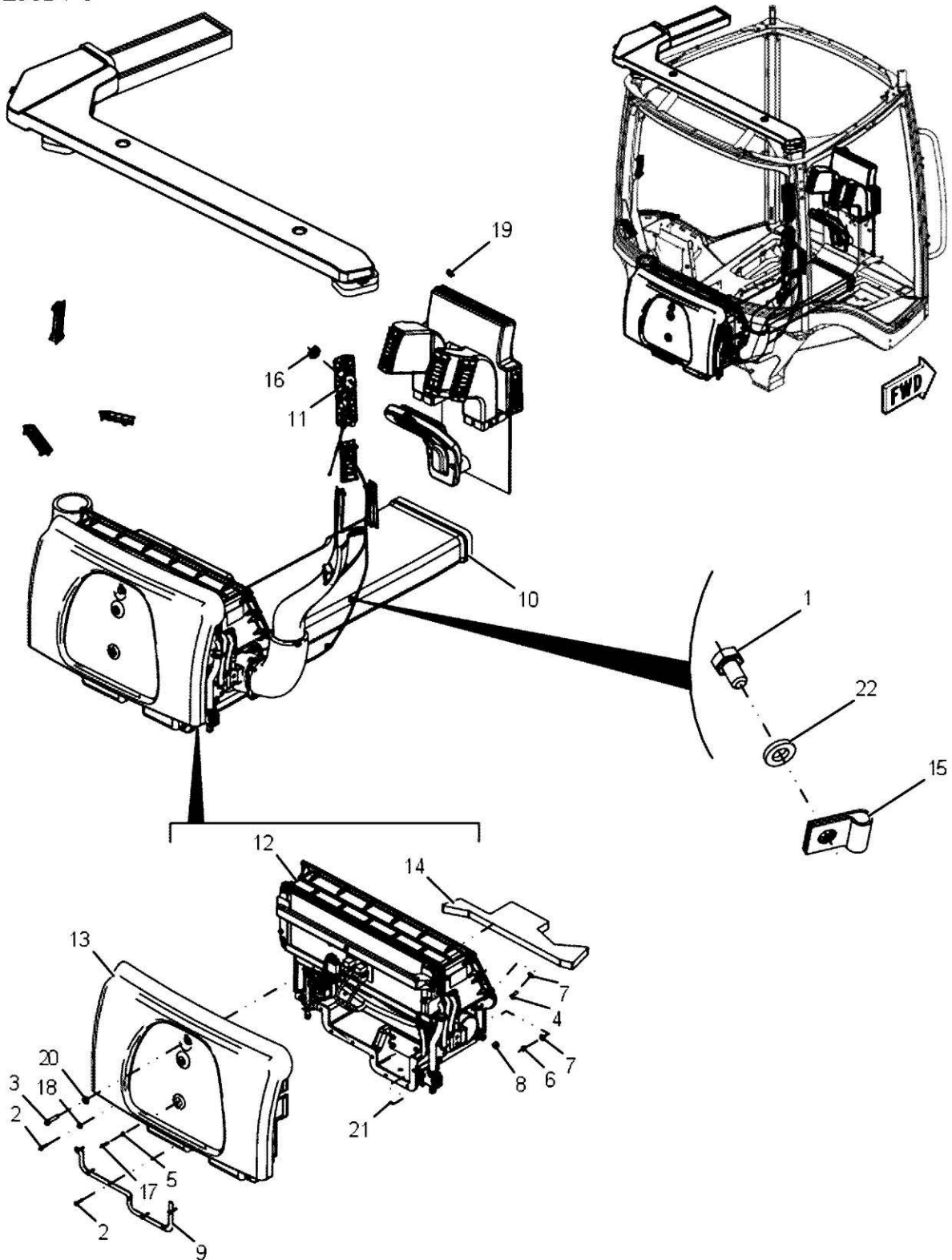


**578115D1 - AIR CONDITIONER GROUP - DELUXE**

---

ITEM	PART NUMBER	QTY	DESCRIPTION COMMENTS	TECHNICAL SPECIFICATION
6	400297X1	1	HEX HEAD PLUG	3/4"-16
10	400307X1	4	HEXAGONAL HEAD BOLT	M6 X 1.0 X 45MM
14	402238X1	8	SCREW	M4X0.70X12,PAN,4.8ZN
15	501701D2	1	CASE	
21	501718D1	1	GASKET	
22	501719D1	1	GASKET	
28	501725D1	1	GASKET	
33	502528D1	1	TAPE	
36	504804D1	2	WIRE RETAINER	
41	563740D1	2	TEMPERATURE SENSOR	
42	582672D1	1	HOUSING	
	582673D1	1	BLOWER NOT ILLUSTRATED	
46	582676D1	1	BRACKET	
47	582677D1	1	BRACKET ASSY.	
48	582678D1	1	BRACKET ASSY.	
50	582681D1	1	PLUG	

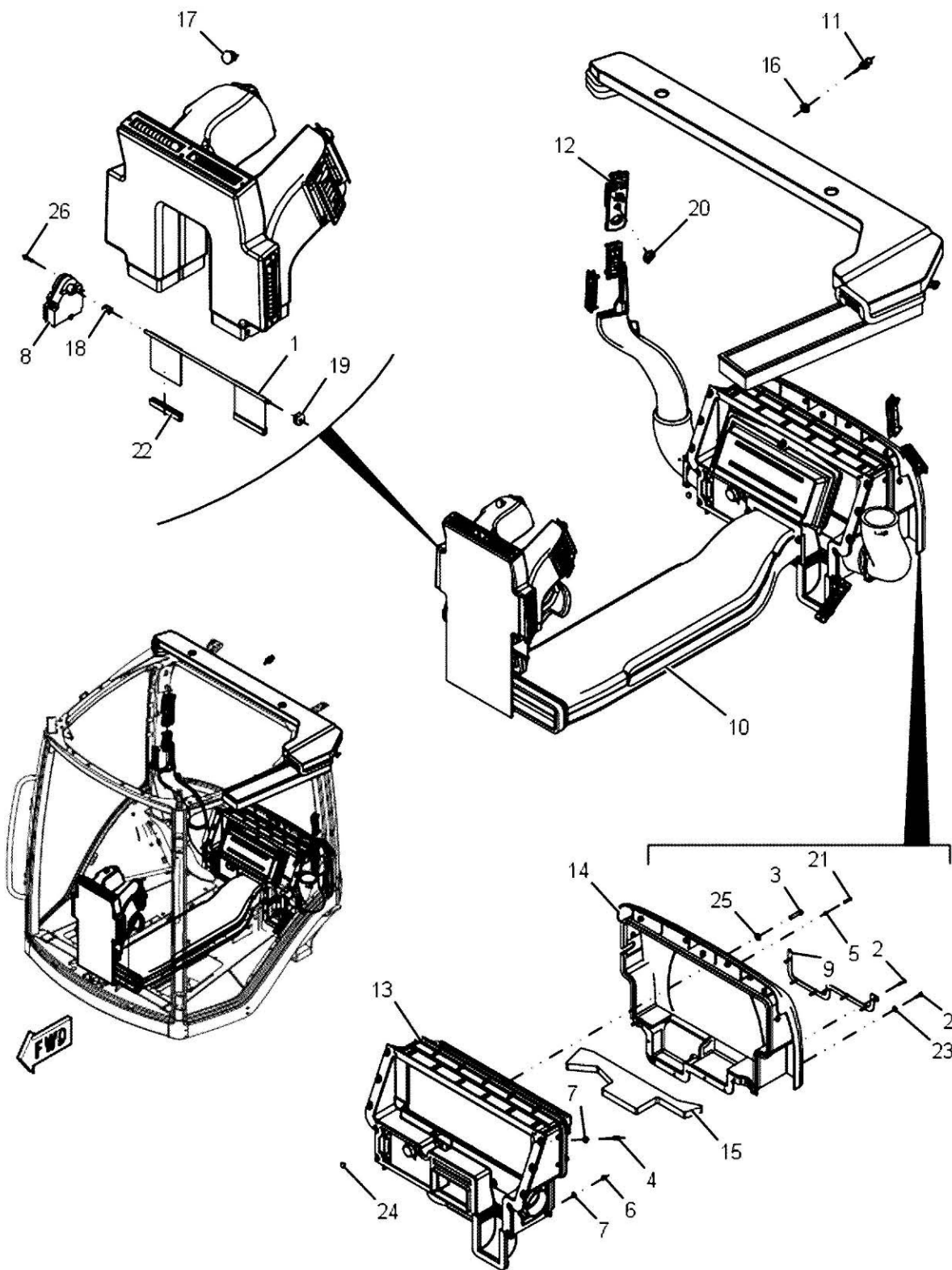
554235D1-8



**554235D1 - CONDITIONER MOUNTING GROUP - BASIC**

ITEM	PART NUMBER	QTY	DESCRIPTION COMMENTS	TECHNICAL SPECIFICATION
1	400018X1	2	HEXAGONAL HEAD BOLT	M6 X 1 X 10MM, CL10.9
2	400022X1	9	HEXAGONAL HEAD BOLT	M6 X 1 X 25MM, CL10.9
3	400049X1	1	HEXAGONAL HEAD BOLT	M10 X 1.5 X 45MM, CL10.9
4	400053X1	6	HEXAGONAL HEAD BOLT	M8 X 1.25 X 20MM, CL10.9
5	400310X1	2	FLAT WASHER	6.6MM ID X 12MM OD X 2MM
6	400340X1	4	HEX NUT	M8 X 1.25MM X 13MM
7	400599X1	10	FLAT WASHER	M8 X 20.5MM OD X 2MM THK
8	400948X1	1	GROMMET	4.76MM ID X 14.3MMOD X 2.4MM
9	502517D1	1	PLATE	
10	NS	1	NON-SERVICEABLE PART SEE PAGE 11-0029	
11	NS	1	NON-SERVICEABLE PART SEE PAGE 11-0025	
12	578114D1	1	AIR CONDITIONER SEE PAGE 11-0001	
13	NS	1	NON-SERVICEABLE PART SEE PAGE 11-0012	
14	585313D1	1	INSULATION	HVAC
15	CH195-7925	2	P-CLIP	6.36MM ID
16	CH216-2628	2	CONTROL KNOB	
17	CH216-8275	2	PHILIPS PN HD SCREW	#12-14 X 25.4MM
18	CH5P-4115	2	FLAT WASHER	7.2MM X 19MM X 2MM
19	CH7X-1434	1	BUTTON PLUG	25.4MM OD
20	CH7X-7729	1	FLAT WASHER	11MM X 25MM X 3MM
21	CH8Y-5737	1	CLIP	
22	CH9X-8267	2	FLAT WASHER	6MM

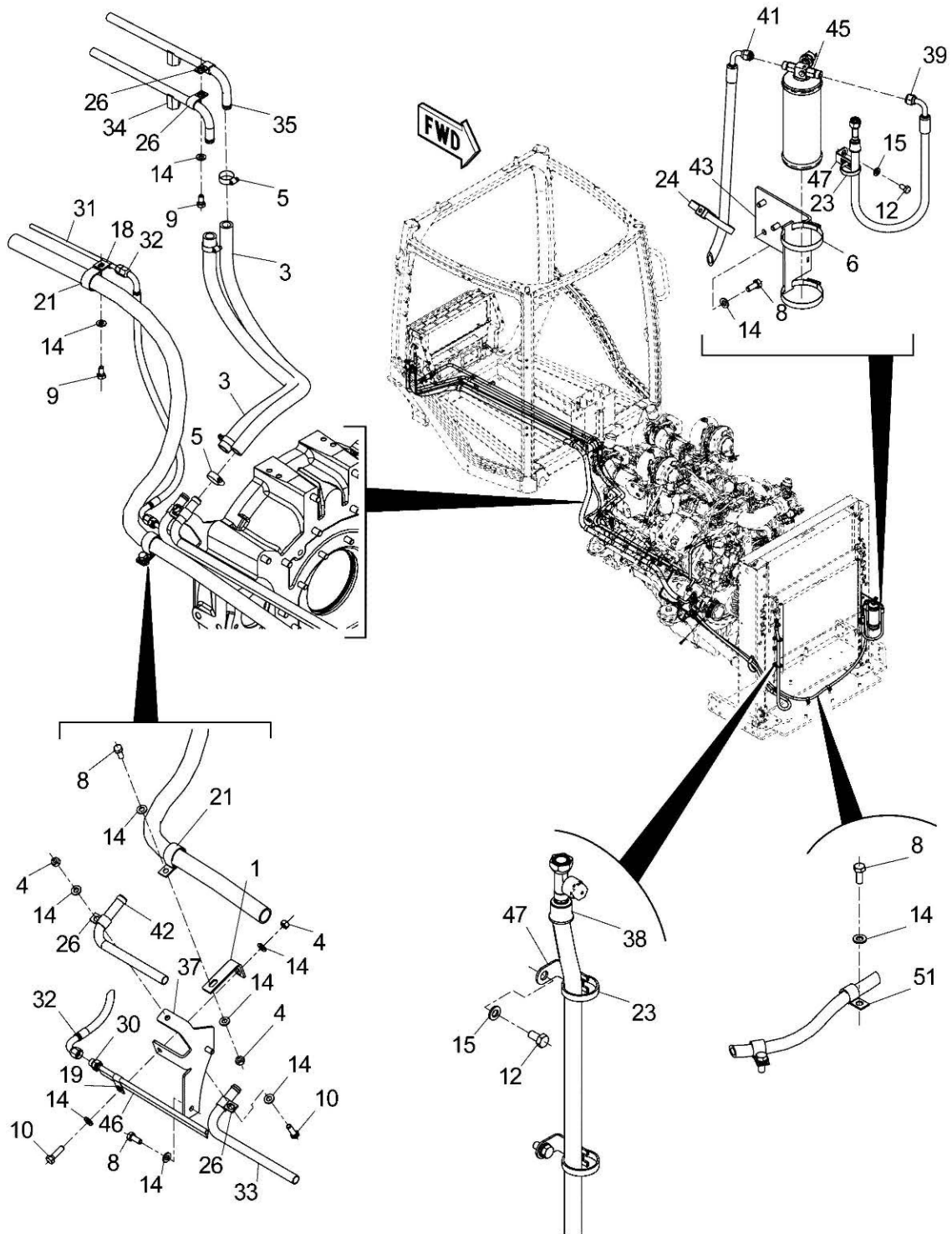
554234D1-6



**554234D1 - CONDITIONER MOUNTING GROUP - DELUXE**

ITEM	PART NUMBER	QTY	DESCRIPTION COMMENTS	TECHNICAL SPECIFICATION
1	198-4070	1	DOOR	
2	400022X1	9	HEXAGONAL HEAD BOLT	M6 X 1 X 25MM, CL10.9
3	400049X1	1	HEXAGONAL HEAD BOLT	M10 X 1.5 X 45MM, CL10.9
4	400053X1	6	HEXAGONAL HEAD BOLT	M8 X 1.25 X 20MM, CL10.9
5	400310X1	2	FLAT WASHER	6.6MM ID X 12MM OD X 2MM
6	400340X1	4	HEX NUT	M8 X 1.25MM X 13MM
7	400599X1	10	FLAT WASHER	M8 X 20.5MM OD X 2MM THK
8	501745D1	1	ACTUATOR	
9	502517D1	1	PLATE	
10	NS	1	NON-SERVICEABLE PART SEE PAGE 11-0029	
11	532767D1	1	TEMPERATURE SENSOR	
12	560476D1	1	SWITCH MODULE	
13	578115D1	1	AIR CONDITIONER	
14	NS	1	NON-SERVICEABLE PART SEE PAGE 11-0012	
15	585313D1	1	INSULATION	HVAC
16	CH107-5591	1	HEX JAM NUT	3/4"-16
17	CH128-2162	1	SENSOR	
18	CH131-3093	1	BUSHING	
19	CH192-4765	1	BUSHING	
20	CH216-2628	2	CONTROL KNOB	
21	CH216-8275	2	PHILIPS PN HD SCREW	#12-14 X 25.4MM
22	CH3E-6600	16CM	SEAL	
23	CH5P-4115	2	FLAT WASHER	7.2MM X 19MM X 2MM
24	CH6K-6361	1	BUTTON PLUG	
25	CH7X-7729	1	FLAT WASHER	11MM X 25MM X 3MM
26	CH9X-1046	3	TORX HEAD BOLT	M4 X 0.7 X 18MM

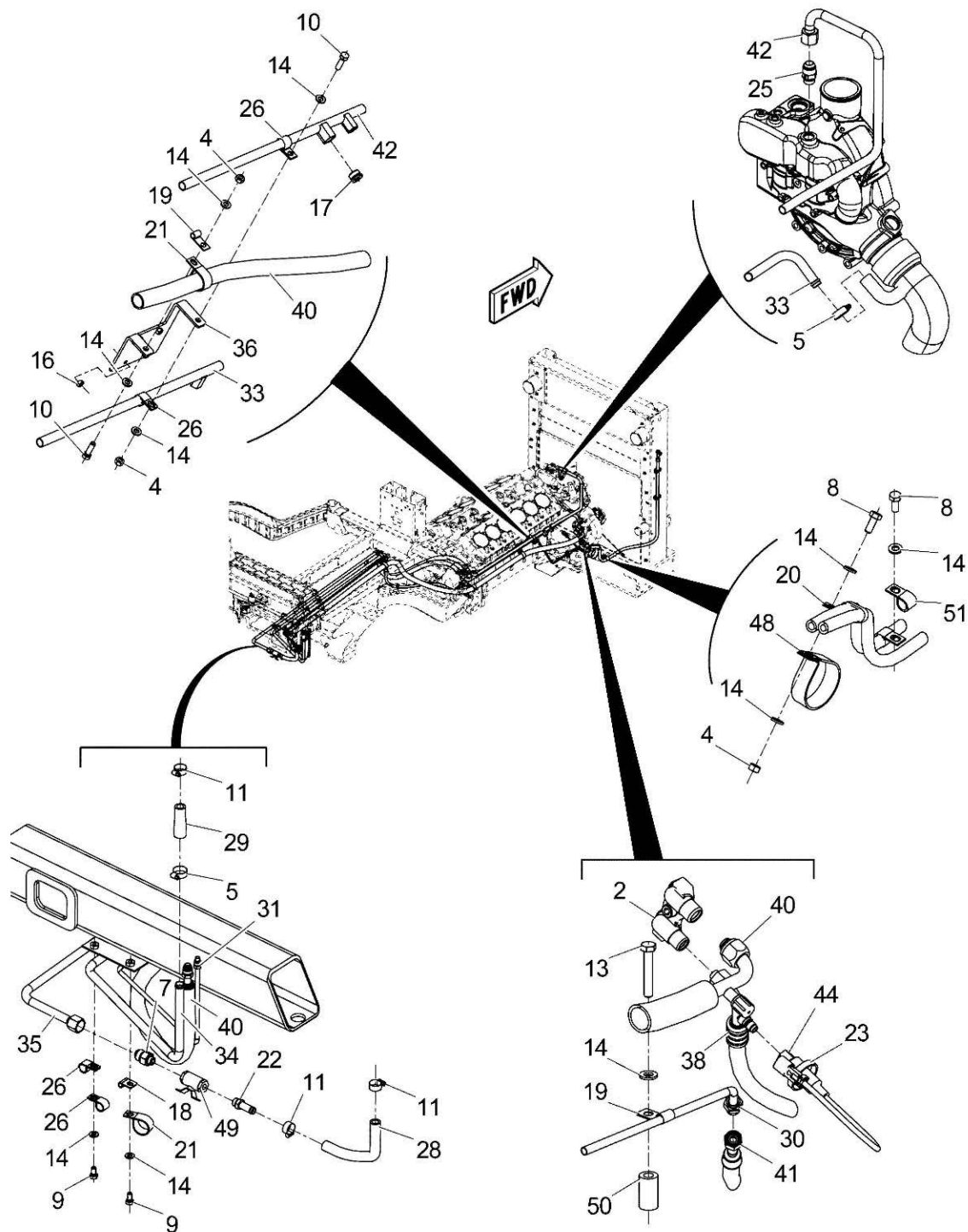
582573D1-9-01



**582573D1 - HVAC LINES GROUP - HEATING, VENTILATION AND AIR CONDITIONING**

ITEM	PART NUMBER	QTY	DESCRIPTION COMMENTS	TECHNICAL SPECIFICATION
1	215-8051	1	BRACKET	
3	AG513385	-	HOSE 1815 MM	3/4", EPDM, MED PRESS
4	AG522218	6	TERMINAL NUT	M10 X 1.5, CL10.9
5	AG561229	6	HOSE CLAMP	13/16"-1-3/4" , SAE 20 ,SS
6	AG561235	2	HOSE CLAMP	2-5/16"-3-1/4" , SAE 44, SS
8	400039X1	10	HEXAGONAL HEAD BOLT	M10 X 1.5 X 25MM, CL10.9
9	400040X1	4	HEXAGONAL HEAD BOLT	M10 X 1.5 X 20MM, CL10.9
10	400059X1	4	HEXAGONAL HEAD BOLT	M10 X 1.5 X 35MM, CL10.9
12	400227X1	3	HEXAGONAL HEAD BOLT	M8X1.25 THD X 16 10.9
14	400287X1	25	FLAT WASHER	11MM X 21MM X 2.5MM
15	400339X1	3	FLAT WASHER	9MM X 16MM X 2MM
18	400620X1	2	P-CLIP	9.52MM ID
19	400622X1	3	CLIP	
21	400689X1	4	P-CLIP	38.1MM OD X 22MM
23	402294X1	4	CABLE TIE	390MM X 7.6MM
24	402304X1	1	CABLE TIE	490MM X 12.7MM
26	534939D1	8	CLIP	LOOP 19.05 ID W/COAT
30	563401D1	1	AIR CONDITIONING HOSE	2X 5/8"-18 M O-RING INSERT
31	563406D2	1	TUBE ASSY	
32	563408D2	1	AIR CONDITIONING HOSE	2 X 7/8" X 14 FS 90D
	CH9X-7380	2	O-RING	7.65MM ID X 1.78MM
33	563410D1	1	COOLANT TUBE	16MM X 19MM
34	563411D1	1	COOLANT TUBE	16MM X 19MM
35	563412D1	1	COOLANT TUBE	1-1/16"-12 FS JIC
37	564306D1	1	TUBE SUPPORT BRACKET	
38	573467D1	1	AIR CONDITIONING HOSE	HI SIDE 2X 3/4" X 16 FS 90D
	CH9X-7381	2	O-RING	10.82MM ID X 1.78MM
	CH9X-7378	1	O-RING	8.92MM ID X 1.83MM DIA
39	573480D1	1	AIR CONDITIONING HOSE	5/8 X 18 FS X 5/8 X 18 FS 90D
	CH9X-7380	2	O-RING	7.65MM ID X 1.78MM
41	582798D1	1	AIR CONDITIONING HOSE	
	CH9X-7380	2	O-RING	7.65MM ID X 1.78MM
42	585371D1	1	TUBE ASSY	19.05MM OD X 1.65 WALL
43	586701D1	1	DRYER BRACKET	
45	593052D2	1	AIR CONDITIONING RECEIVER DRIER	
46	598649D1	-	PROTECTIVE SLEEVE 800 MM	DIA 19MM
47	CH132-5789	3	LADDER CLIP	47.5MM
51	CH6D-4246	4	P-CLIP	19.05MM ID

582573D1-9-02



**582573D1 - HVAC LINES GROUP - HEATING, VENTILATION AND AIR CONDITIONING**

ITEM	PART NUMBER	QTY	DESCRIPTION COMMENTS	TECHNICAL SPECIFICATION
2	AG133847	1	PAD	
4	AG522218	6	TERMINAL NUT	M10 X 1.5, CL10.9
5	AG561229	6	HOSE CLAMP	13/16"-1-3/4" , SAE 20 ,SS
7	AG561339	1	ADAPTER FITTING	1/2"ORB X 3/4" M JIC
8	400039X1	10	HEXAGONAL HEAD BOLT	M10 X 1.5 X 25MM, CL10.9
9	400040X1	4	HEXAGONAL HEAD BOLT	M10 X 1.5 X 20MM, CL10.9
10	400059X1	4	HEXAGONAL HEAD BOLT	M10 X 1.5 X 35MM, CL10.9
11	400108X1	3	HOSE CLAMP	15.9MM-26.9MM X 13.5MM
13	400239X1	1	HEXAGONAL HEAD BOLT	M10 X 1.5 X 60MM, CL10.9
14	400287X1	25	FLAT WASHER	11MM X 21MM X 2.5MM
16	400340X1	4	HEX NUT	M8 X 1.25MM X 13MM
17	400369X1	1	SOCKET HEAD PLUG	-10 STOR
	400319X1	1	O-RING	19.18MM ID X 2.46MM
18	400620X1	2	P-CLIP	9.52MM ID
19	400622X1	3	CLIP	
20	400665X1	1	P-CLIP	19MM ID, DOUBLE
21	400689X1	4	P-CLIP	38.1MM OD X 22MM
22	401106X1	1	ADAPTER FITTING	-8 M STOR -10 BARB
23	402294X1	4	CABLE TIE	390MM X 7.6MM
25	403122X1	1	STRAIGHT ADAPTOR	-12JICXM22X1.5
	401379X1	1	O-RING	19.3MM ID X 2.2MM
26	534939D1	8	CLIP	LOOP 19.05 ID W/COAT
28	544939D1	1	HOSE	FORMED 15.88 ID
29	563398D1	1	AIR CONDITIONING HOSE	16MM-19MM ID X 80MM LNPTH
30	563401D1	1	AIR CONDITIONING HOSE	2X 5/8"-18 M O-RING INSERT
31	563406D2	1	TUBE ASSY	
33	563410D1	1	COOLANT TUBE	16MM X 19MM
34	563411D1	1	COOLANT TUBE	16MM X 19MM
35	563412D1	1	COOLANT TUBE	1-1/16"-12 FS JIC
36	563422D2	1	BRACKET	TUBE
38	573467D1	1	AIR CONDITIONING HOSE	HI SIDE 2X 3/4" X 16 FS 90D
	CH9X-7378	1	O-RING	8.92MM ID X 1.83MM DIA
	CH9X-7381	2	O-RING	10.82MM ID X 1.78MM
40	579177D1	1	AIR CONDITIONING HOSE	
	402294X1	2	CABLE TIE	390MM X 7.6MM
	CH9X-7382	2	O-RING	14MM ID X 1.78MM
41	582798D1	1	AIR CONDITIONING HOSE	
	CH9X-7380	2	O-RING	7.65MM ID X 1.78MM
42	585371D1	1	TUBE ASSY	19.05MM OD X 1.65 WALL
44	587372D1	1	PRESSURE SWITCH	A/C
	540050D1	1	CONNECTOR	RCPT,2PIN,DT,ENDCAP,ESEAL
48	CH184-5394	1	P-CLIP	77.8 MM ID
49	CH206-0325	1	BALL VALVE	
50	CH215-6489	1	SPACER	12MM ID X 22MM OD X 40MM
51	CH6D-4246	4	P-CLIP	19.05MM ID

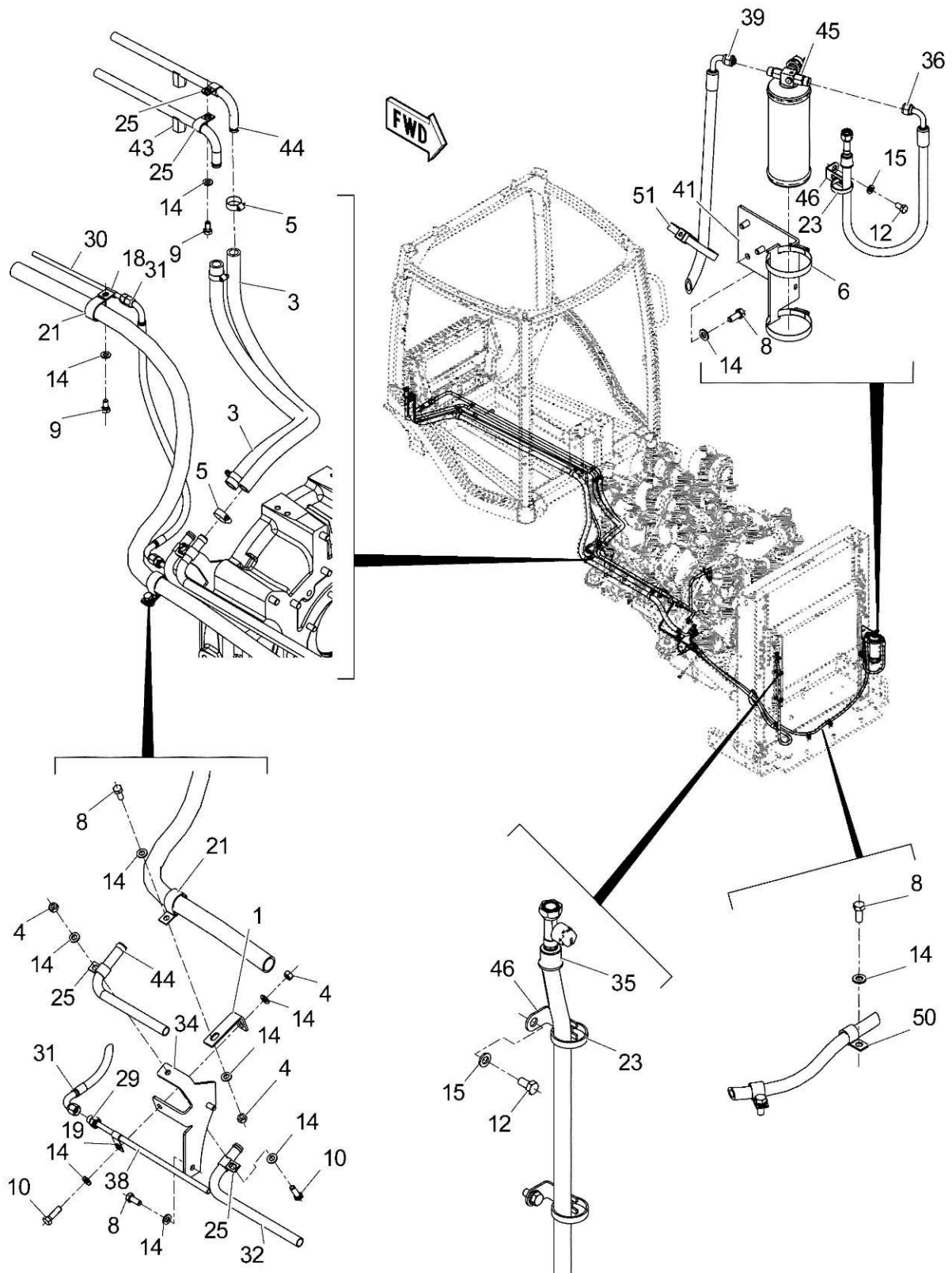
11-0009

**AIR CONDITIONING AND HEATING SYSTEM**

Copyright © 2016 AGCO Corporation

MT955E / MT965E / MT975E TRACTOR

589926D1-4-01



11-0010

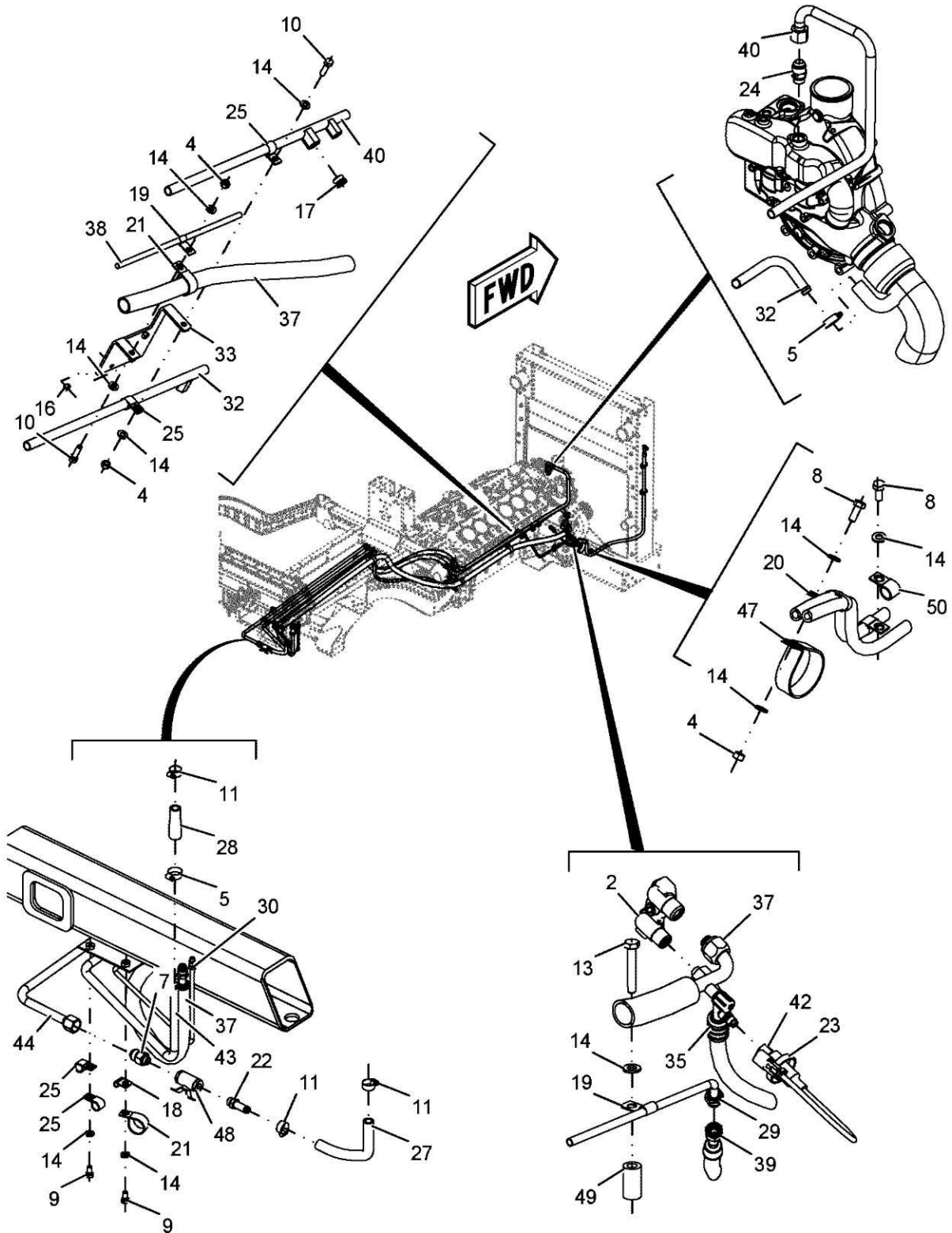
Copyright © 2016 AGCO Corporation

AIR CONDITIONING AND HEATING SYSTEM

MT955E / MT965E / MT975E TRACTOR

ITEM	PART NUMBER	QTY	DESCRIPTION COMMENTS	TECHNICAL SPECIFICATION
<b>2017</b>				
1	215-8051	1	BRACKET	
3	AG513385	6	HOSE	3/4", EPDM, MED PRESS
4	7774664	6	HEX NUT	M10 X 1.5
5	AG561229	6	HOSE CLAMP	13/16"-1-3/4" , SAE 20 ,SS
6	AG561235	2	HOSE CLAMP	2-5/16"-3-1/4", SAE 44, SS
8	400039X1	10	HEXAGONAL HEAD BOLT	M10 X 1.5 X 25MM, CL10.9
9	400040X1	4	HEXAGONAL HEAD BOLT	M10 X 1.5 X 20MM, CL10.9
10	400059X1	4	HEXAGONAL HEAD BOLT	M10 X 1.5 X 35MM, CL10.9
12	400227X1	3	HEXAGONAL HEAD BOLT	M8X1.25 THD X 16 10.9
14	400287X1	25	FLAT WASHER	11MM X 21MM X 2.5MM
15	400339X1	3	FLAT WASHER	9MM X 16MM X 2MM
18	400620X1	2	P-CLIP	9.52MM ID
19	400622X1	3	CLIP	
21	400689X1	4	P-CLIP	38.1MM OD X 22MM
23	402294X1	4	CABLE TIE	390MM X 7.6MM
25	534939D1	8	CLIP	LOOP 19.05 ID W/COAT
29	563401D1	1	AIR CONDITIONING HOSE	2X 5/8"-18 M O-RING INSERT
30	563406D2	1	TUBE ASSY	
	CH9X-7380	1	O-RING	7.65MM ID X 1.78MM
31	563408D2	1	AIR CONDITIONING HOSE	2 X 7/8" X 14 FS 90D
32	563410D1	1	COOLANT TUBE	16MM X 19MM
34	564306D1	1	TUBE SUPPORT BRACKET	
35	573467D1	1	AIR CONDITIONING HOSE	HI SIDE 2X 3/4" X 16 FS 90D
	CH9X-7378	1	O-RING	8.92MM ID X 1.83MM DIA
	CH9X-7381	2	O-RING	10.82MM ID X 1.78MM
36	573480D1	1	AIR CONDITIONING HOSE	5/8 X 18 FS X 5/8 X 18 FS 90D
	CH9X-7380	2	O-RING	7.65MM ID X 1.78MM
38	598649D1	-	PROTECTIVE SLEEVE 800 MM	DIA 19MM
39	582798D1	1	AIR CONDITIONING HOSE	
	CH9X-7380	2	O-RING	7.65MM ID X 1.78MM
41	586701D1	1	DRYER BRACKET	
43	589919D2	1	COOLANT TUBE	-12
44	589920D1	1	COOLANT TUBE	-12
45	593052D2	1	AIR CONDITIONING RECEIVER DRIER	
46	CH132-5789	3	LADDER CLIP	47.5MM
50	CH6D-4246	4	P-CLIP	19.05MM ID
51	402304X1	1	CABLE TIE	490MM X 12.7MM

589926D1-3-02

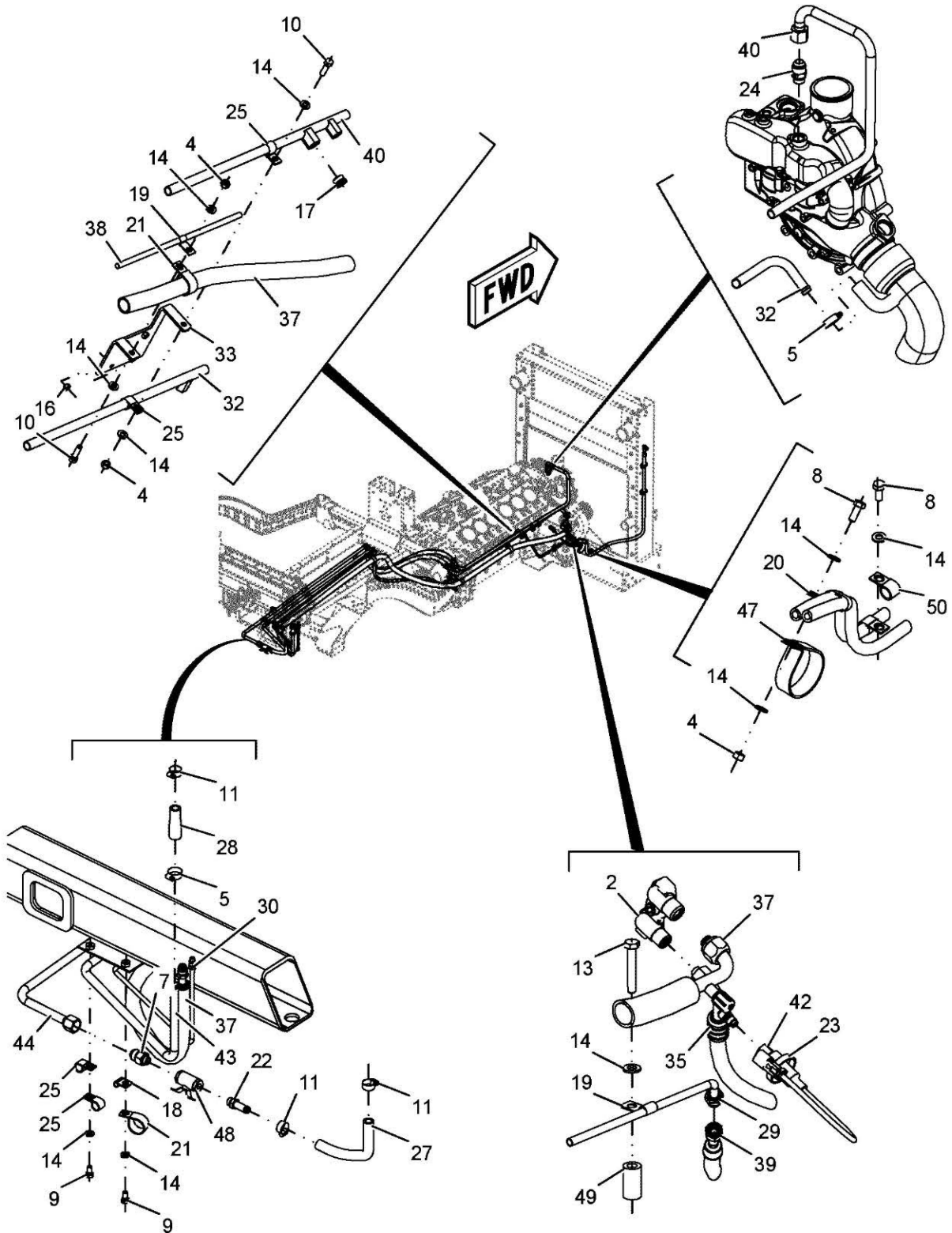


ITEM	PART NUMBER	QTY	DESCRIPTION COMMENTS	TECHNICAL SPECIFICATION
			<b>2017</b>	
2	AG133847	1	PAD	
4	7774664	6	HEX NUT	M10 X 1.5
5	AG561229	6	HOSE CLAMP	13/16"-1-3/4" , SAE 20 ,SS
7	AG561339	1	ADAPTER FITTING STRAIGHT	1/2"ORB X 3/4" M JIC
8	400039X1	10	HEXAGONAL HEAD BOLT	M10 X 1.5 X 25MM, CL10.9
9	400040X1	4	HEXAGONAL HEAD BOLT	M10 X 1.5 X 20MM, CL10.9
10	400059X1	4	HEXAGONAL HEAD BOLT	M10 X 1.5 X 35MM, CL10.9
11	400108X1	3	HOSE CLAMP	15.9MM-26.9MM X 13.5MM
13	400239X1	1	HEXAGONAL HEAD BOLT	M10 X 1.5 X 60MM, CL10.9
14	400287X1	25	FLAT WASHER	11MM X 21MM X 2.5MM
16	400340X1	4	HEX NUT	M8 X 1.25MM X 13MM
17	400369X1	1	SOCKET HEAD PLUG	-10 STOR
18	400620X1	2	P-CLIP	9.52MM ID
19	400622X1	3	CLIP	
20	400665X1	1	P-CLIP	19MM ID, DOUBLE
21	400689X1	4	P-CLIP	38.1MM OD X 22MM
22	401106X1	1	ADAPTER FITTING	-8 M STOR -10 BARB
23	402294X1	4	CABLE TIE	390MM X 7.6MM
24	403122X1	1	STRAIGHT ADAPTOR	-12JICXM22X1.5
	401379X1	1	O-RING	19.3MM ID X 2.2MM
25	534939D1	8	CLIP	LOOP 19.05 ID W/COAT
27	544939D1	1	HOSE	FORMED 15.88 ID
28	563398D1	1	AIR CONDITIONING HOSE	16MM-19MM ID X 80MM LNGTH
29	563401D1	1	AIR CONDITIONING HOSE	2X 5/8"-18 M O-RING INSERT
30	563406D2	1	TUBE ASSY	
	CH9X-7380	1	O-RING	7.65MM ID X 1.78MM
32	563410D1	1	COOLANT TUBE	16MM X 19MM
33	563422D2	1	BRACKET	TUBE
35	573467D1	1	AIR CONDITIONING HOSE	HI SIDE 2X 3/4" X 16 FS 90D
	CH9X-7378	1	O-RING	8.92MM ID X 1.83MM DIA
	CH9X-7381	2	O-RING	10.82MM ID X 1.78MM
37	579177D1	1	AIR CONDITIONING HOSE	
	402294X1	2	CABLE TIE	390MM X 7.6MM
	CH9X-7382	2	O-RING	14MM ID X 1.78MM
38	598649D1	-	PROTECTIVE SLEEVE 800 MM	DIA 19MM
39	582798D1	1	AIR CONDITIONING HOSE	
	CH9X-7380	2	O-RING	7.65MM ID X 1.78MM
40	585371D1	1	TUBE ASSY	19.05MM OD X 1.65 WALL
42	587372D1	1	PRESSURE SWITCH	A/C
43	589919D2	1	COOLANT TUBE	-12
44	589920D1	1	COOLANT TUBE	-12
47	CH184-5394	1	P-CLIP	77.8 MM ID
48	CH206-0325	1	BALL VALVE	

11-0011

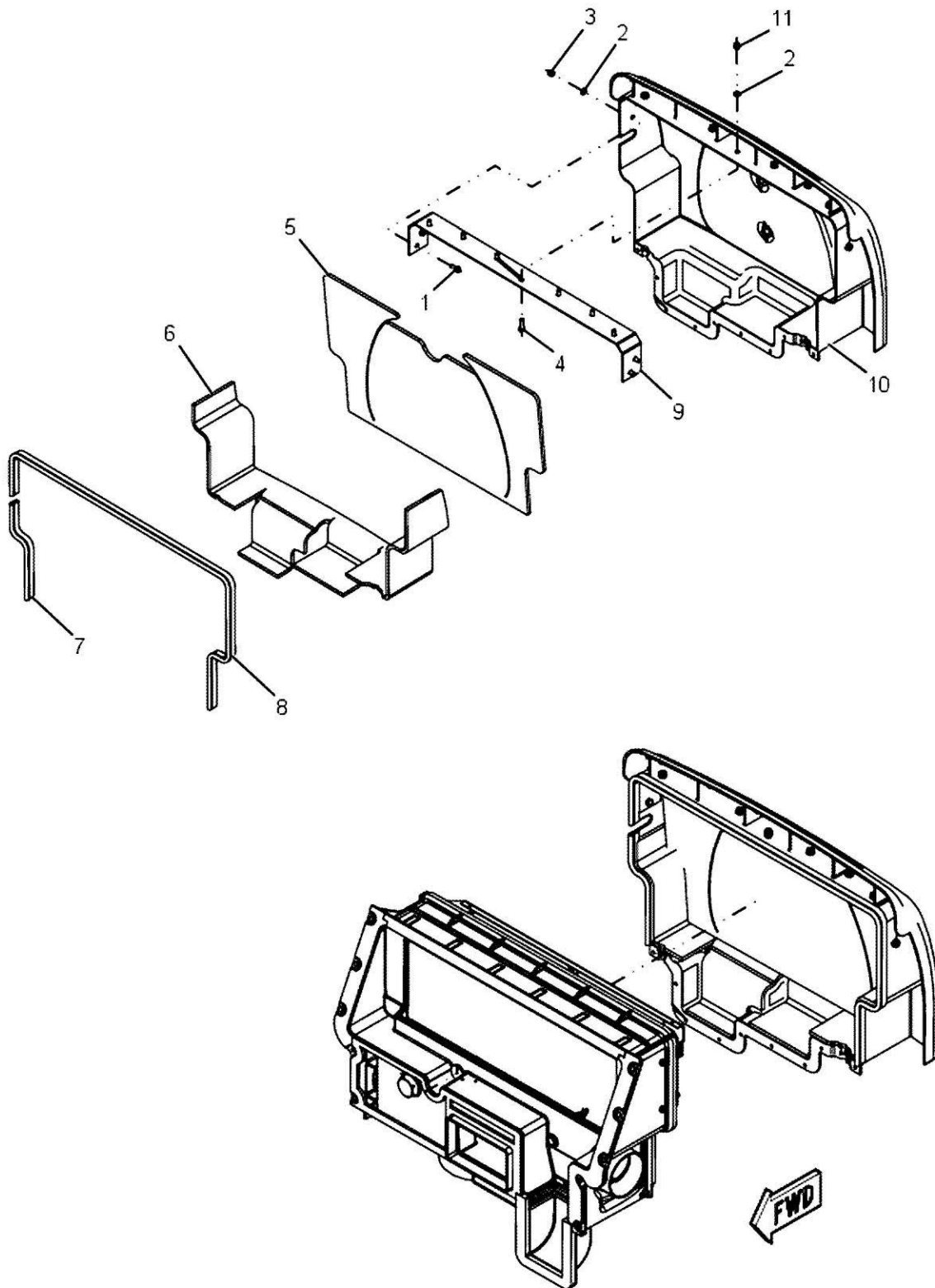
AIR CONDITIONING AND HEATING SYSTEM

589926D1-3-02



ITEM	PART NUMBER	QTY	DESCRIPTION COMMENTS	TECHNICAL SPECIFICATION
49	CH215-6489	1	SPACER	12MM ID X 22MM OD X 40MM
50	CH6D-4246	4	P-CLIP	19.05MM ID

583190D1-3

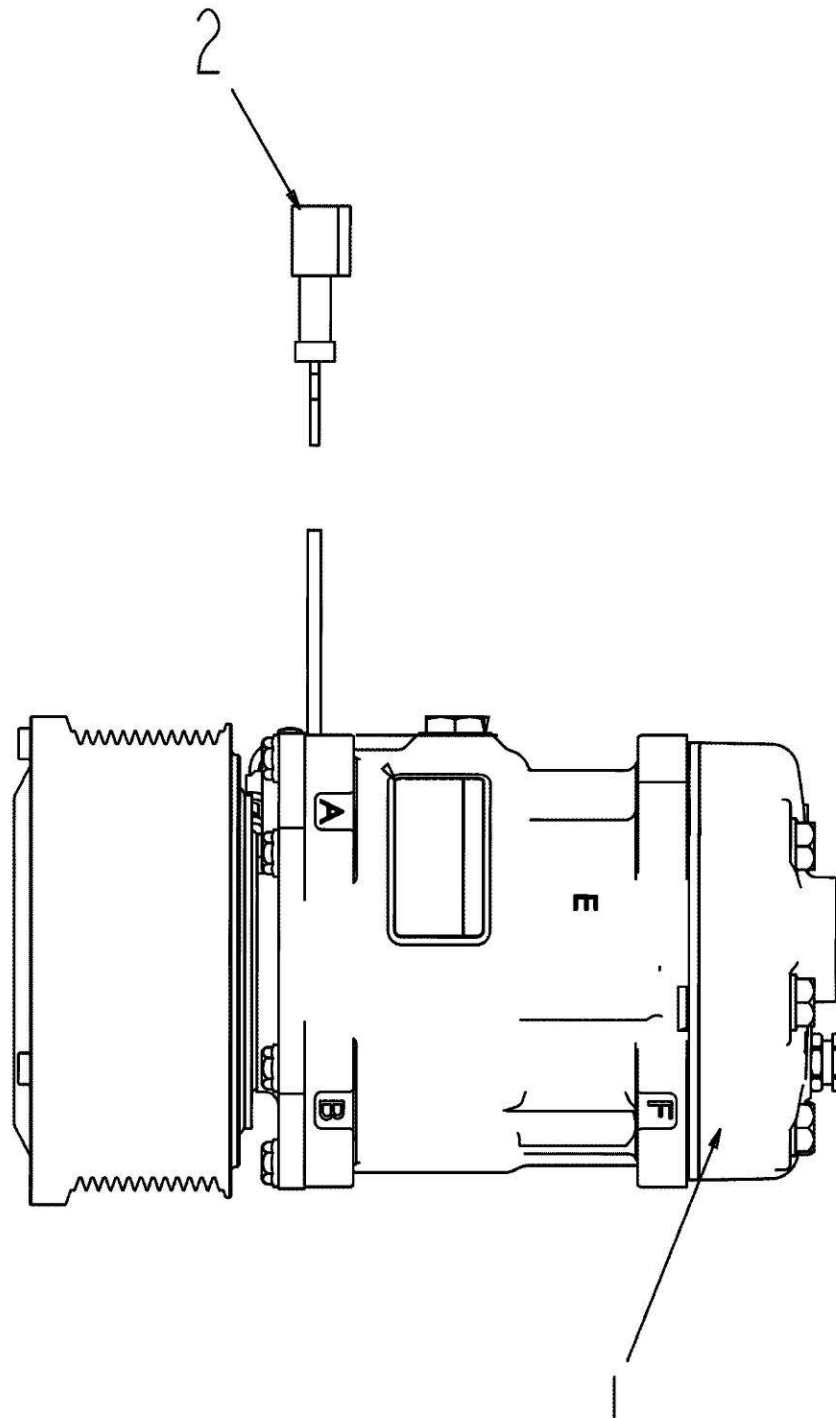


**583190D1 - COVER ASSEMBLY - HEATING, VENTILATION AND AIR CONDITIONING**

---

ITEM	PART NUMBER	QTY	DESCRIPTION COMMENTS	TECHNICAL SPECIFICATION
1	400227X1	10	HEXAGONAL HEAD BOLT	M8X1.25 THD X 16 10.9
2	400339X1	11	FLAT WASHER	9MM X 16MM X 2MM
3	400340X1	10	HEX NUT	M8 X 1.25MM X 13MM
4	400341X1	1	HEXAGONAL HEAD BOLT	M8 X 1.25 X 25MM
5	580201D2	1	INSULATION	COVER
6	580202D2	1	INSULATION	COVER
7	584836D1	1	BULB SEAL	HVAC
8	584853D1	1	BULB SEAL	HVAC
9	595371D1	1	COVER BRACKET	HVAC
10	595646D1	1	ACCESS COVER	HVAC
11	CH131-3540	1	HEX LOCKNUT	M8 X 1.25

563419D2-1-AA906-

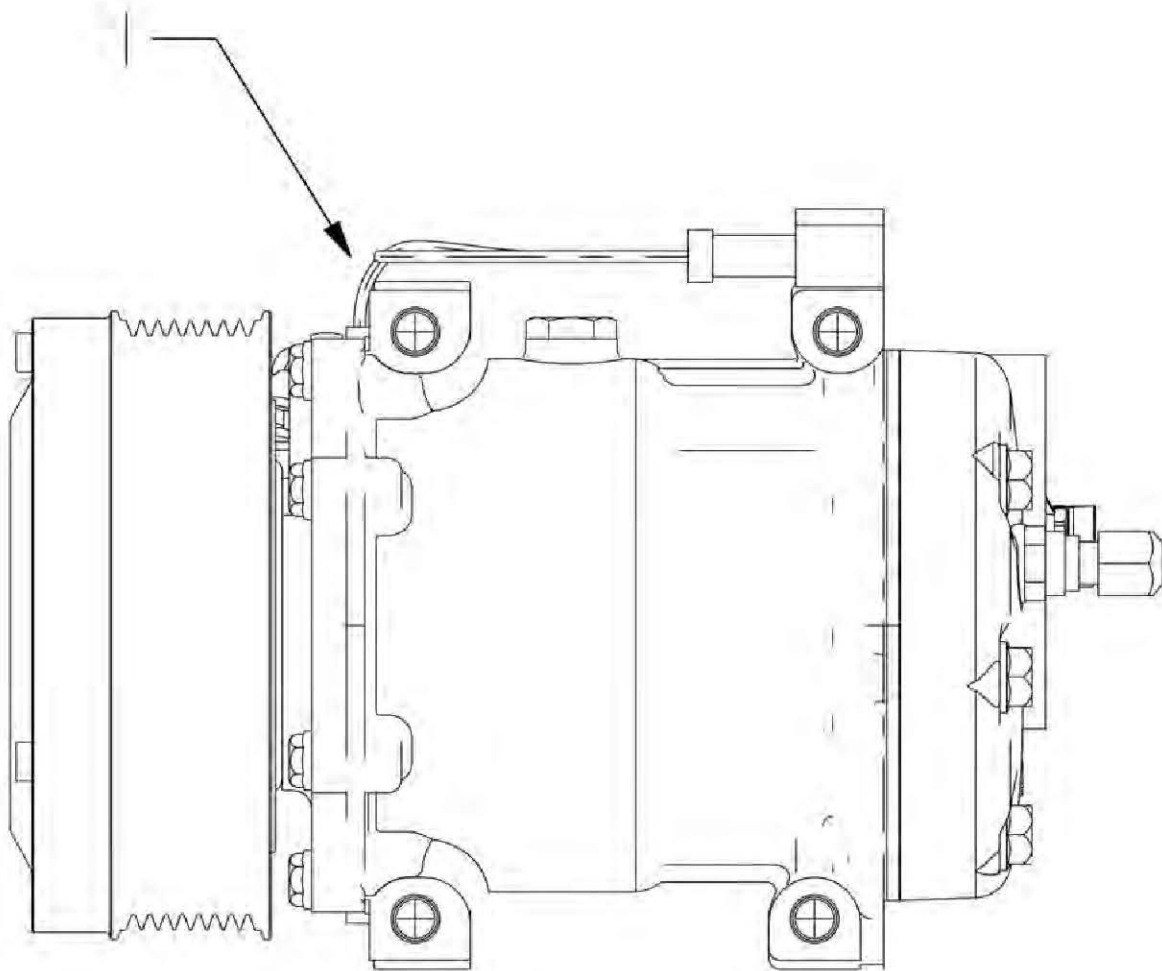


## 563419D2 - AIR CONDITIONER COMPRESSOR

---

ITEM	PART NUMBER	QTY	DESCRIPTION COMMENTS	TECHNICAL SPECIFICATION
1	563419D2	1	AIR CONDITIONING COMPRESSOR	
2	400987X1	1	PRESSURE VALVE PRESSURE RELIEF VALVE	
	CH102-8802	1	CONNECTOR REPAIR KIT SERVICE PARTS	

574635D1-3

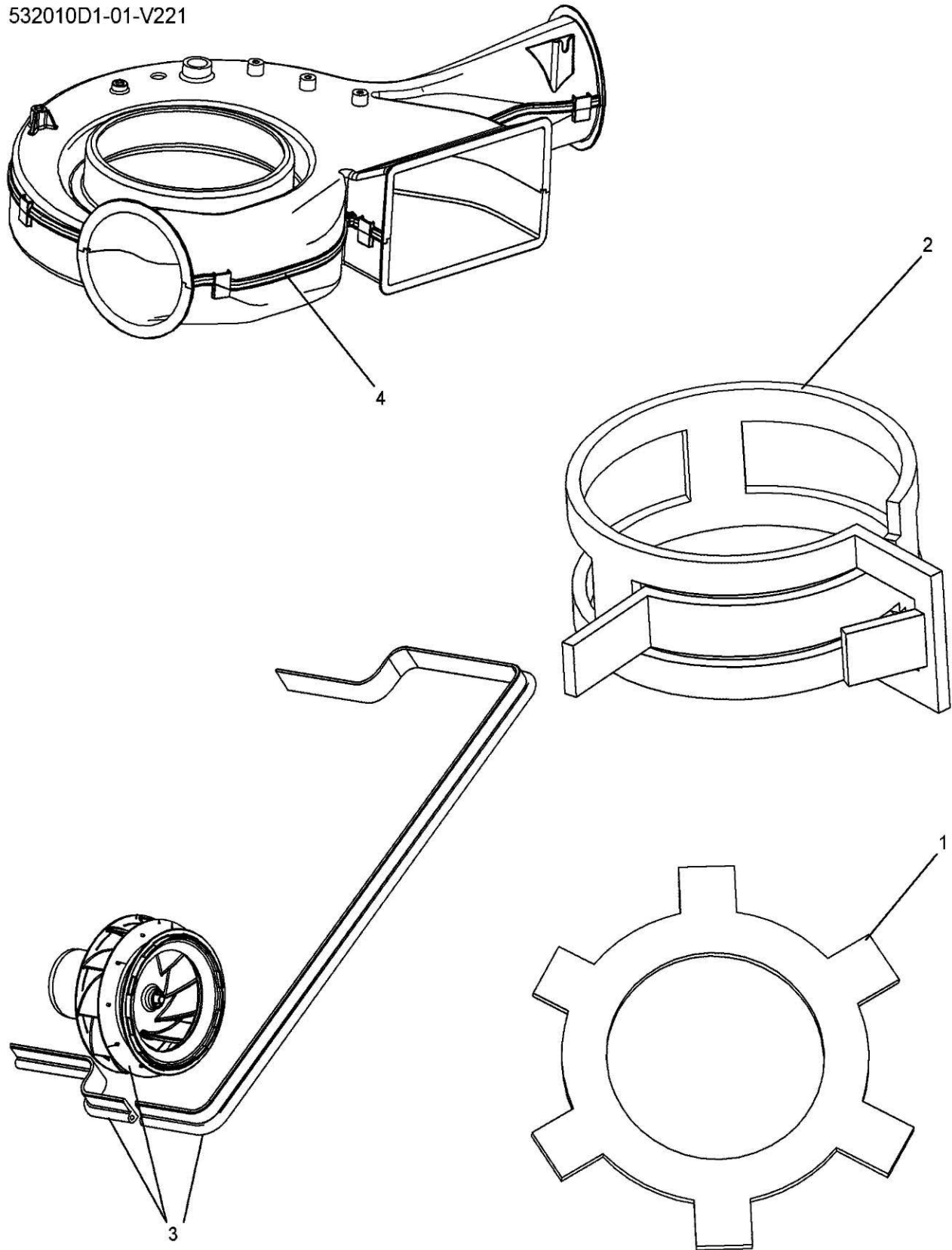


## 574635D1 - COMPRESSOR - AIR CONDITIONER

---

ITEM	PART NUMBER	QTY	DESCRIPTION COMMENTS	TECHNICAL SPECIFICATION
1	574635D1	1	AIR CONDITIONING COMPRESSOR	
	CH102-8802	1	CONNECTOR REPAIR KIT SERVICE PARTS	
	400987X1	1	PRESSURE VALVE PRESSURE RELIEF VALVE	

532010D1-01-V221

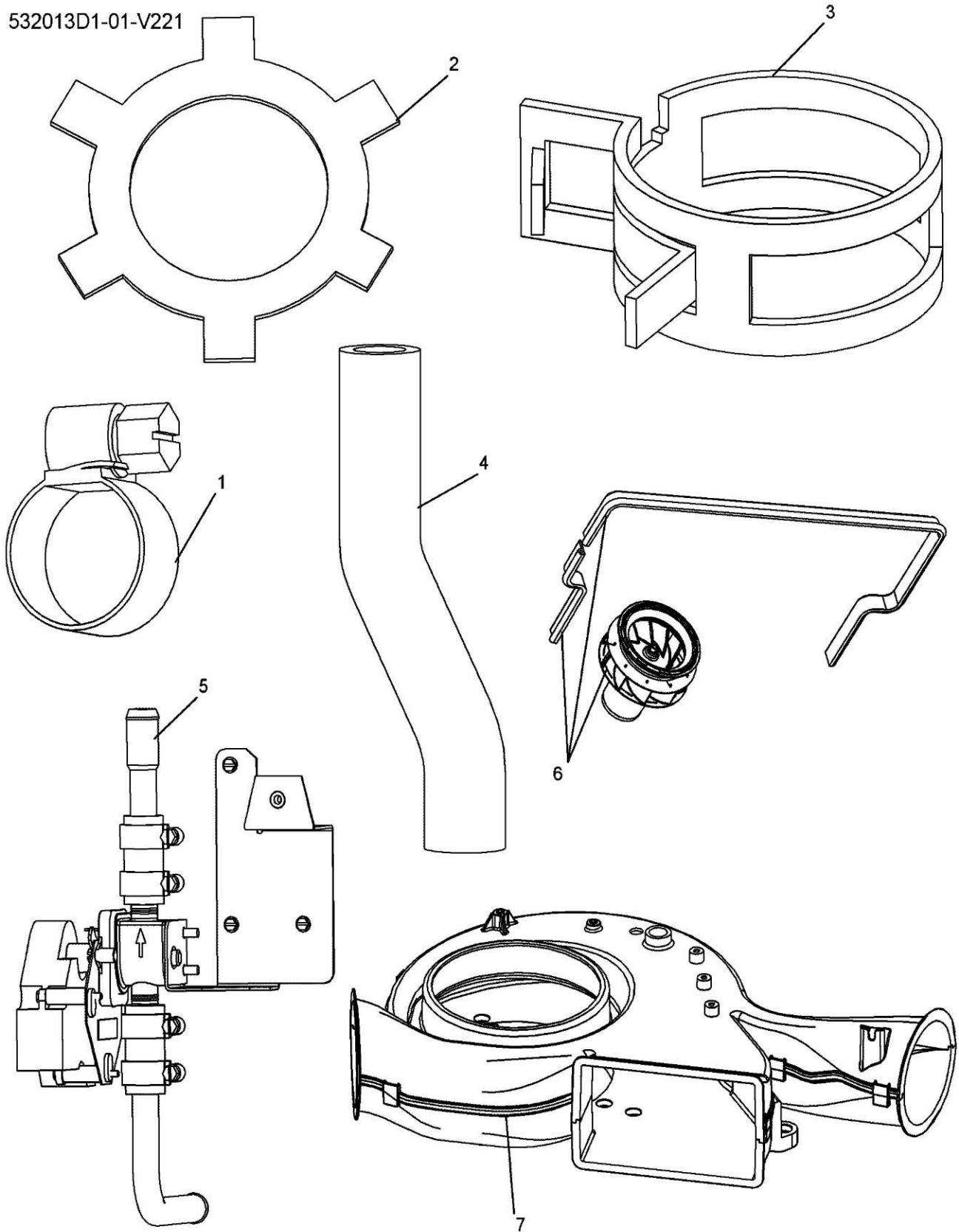


**532010D1 - BASIC AIR CONDITIONER KIT, WITH BLOWER HOUSING AND FAN**

---

ITEM	PART NUMBER	QTY	DESCRIPTION COMMENTS	TECHNICAL SPECIFICATION
1	400301X1	9	LOCK WASHER	
2	400308X1	2	HOSE CLAMP	
3	505678D1	1	CENTRIFUGAL ROTOR FAN SEE PAGE 11-0018	
4	516157D1	1	HOUSING BLOWER, LOWER	

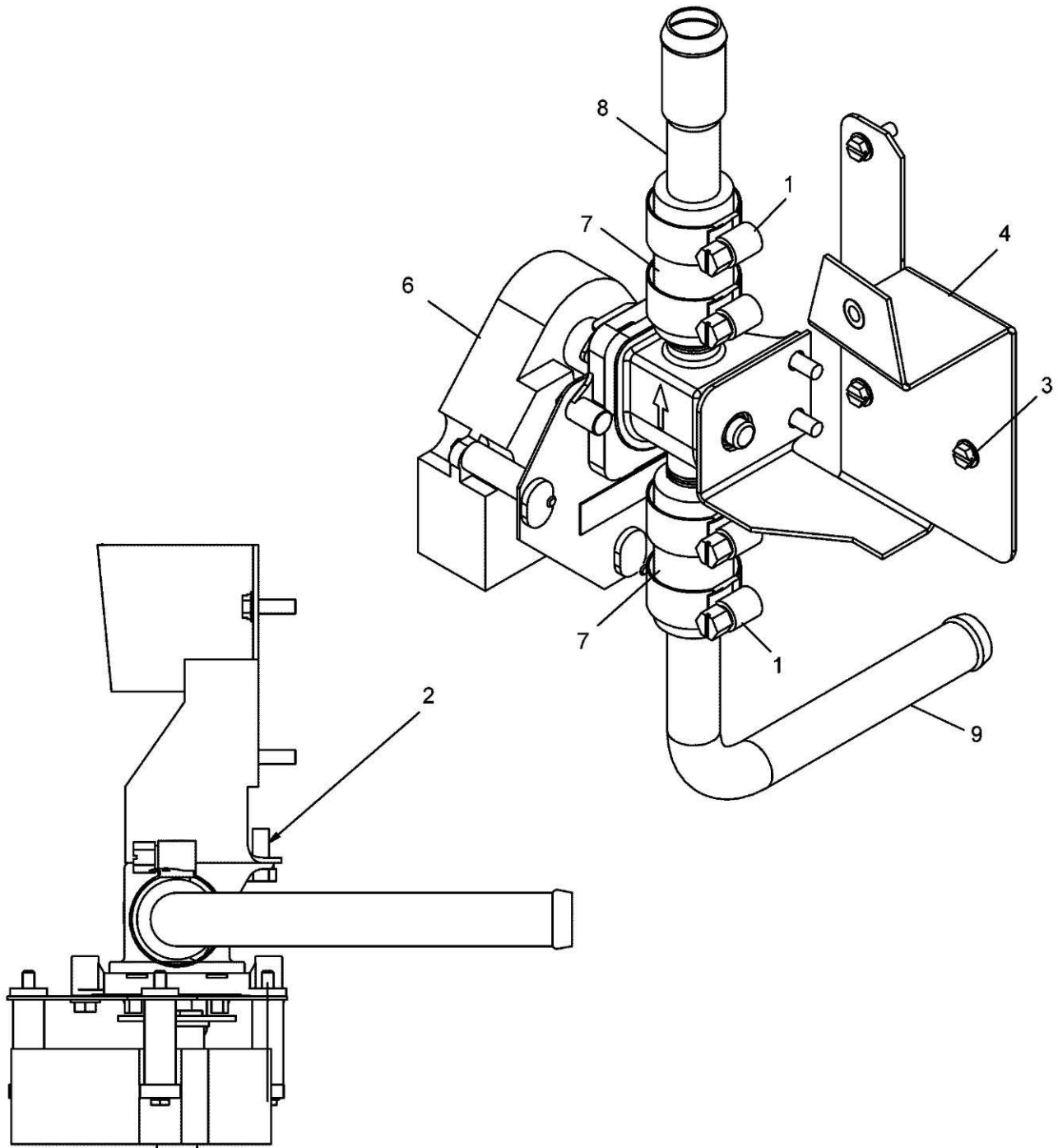
532013D1-01-V221



**532013D1 - DELUXE AIR CONDITIONER KIT WITH BLOWER HOUSING, FAN, AND VALVE**

ITEM	PART NUMBER	QTY	DESCRIPTION COMMENTS	TECHNICAL SPECIFICATION
1	400109X1	2	HOSE CLAMP	11.11-19.84MM X 13.5MM
2	400301X1	9	LOCK WASHER	
3	400308X1	2	HOSE CLAMP	
4	501738D1		HEATER HOSE BULK: 1 CM	19MM ID, CM BULK
5	503578D2	1	VALVE KIT HEATING, VENTILATION AND AIR CONDITIONER SEE PAGE 11-0017	
6	505678D1	1	CENTRIFUGAL ROTOR FAN SEE PAGE 11-0018	
7	516157D1	1	HOUSING BLOWER, LOWER	

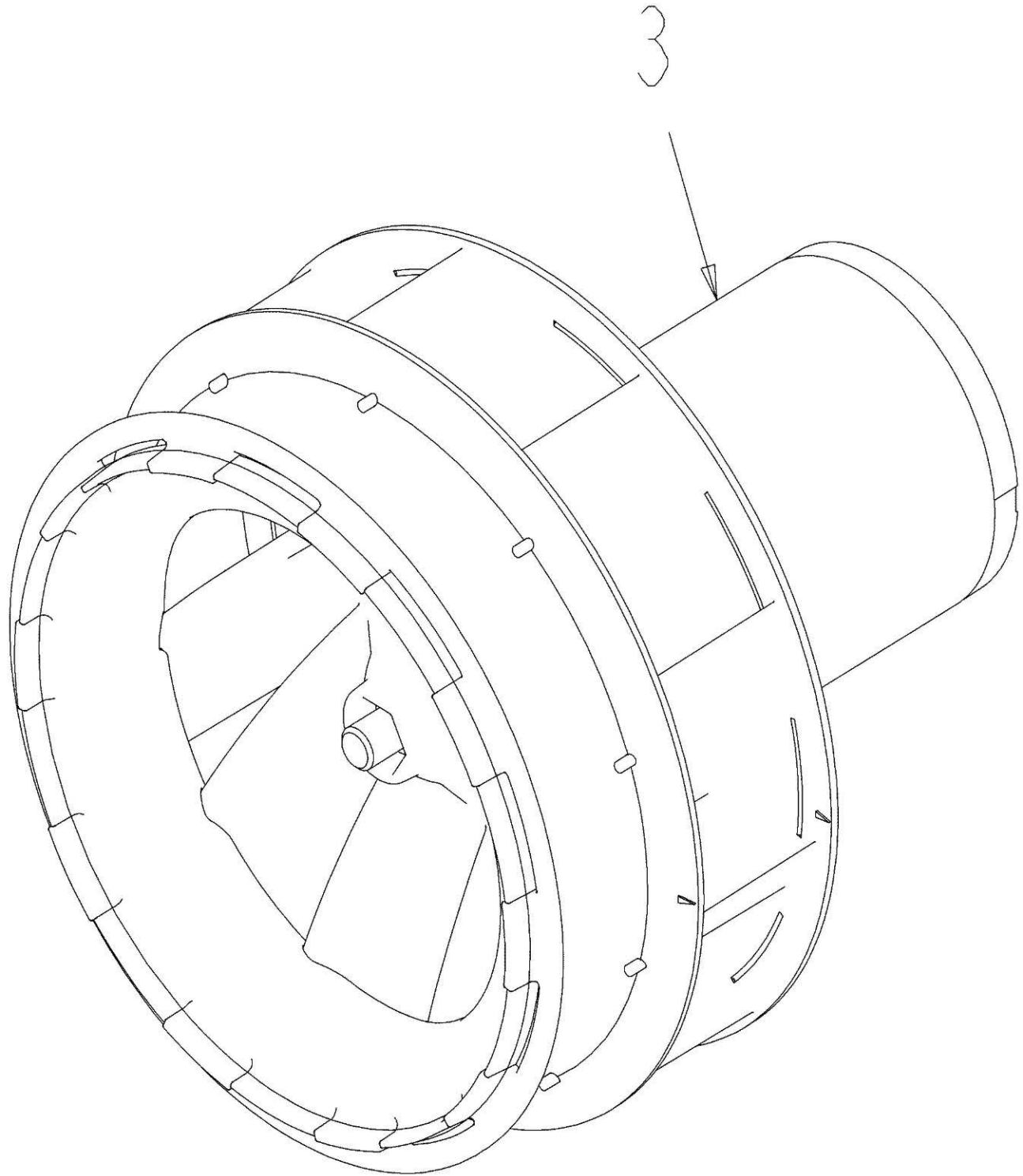
503578D2-04-V115



**503578D2 - HVAC VALVE KIT**

ITEM	PART NUMBER	QTY	DESCRIPTION COMMENTS	TECHNICAL SPECIFICATION
			<b>SOME TRACTORS REQUIRE ADAPTER HARNES AG333220 NOT INCLUDED IN THIS WATER VALVE KIT</b>	
1	400108X1	4	HOSE CLAMP	15.9MM-26.9MM X 13.5MM
2	400302X1	2	HEXAGONAL HEAD BOLT	M5 X .8 X 12MM, CL10.9
3	400305X1	3	SELF-TAPPING SCREW	#8-32 X 1/2"
4	503576D1	1	VALVE BRACKET WATER	
6	509369D1	1	WATER VALVE WATER VALVE ASSEMBLY	
7	511378D1	2	HOSE RUBBER	15.88MM X 50MM, SAE 20R3
8	523619D1	1	HOSE ADAPTER	3/4 TO 5/8
9	CH208-2878	1	ELBOW	15.88MM OD

505678D1-02-R204

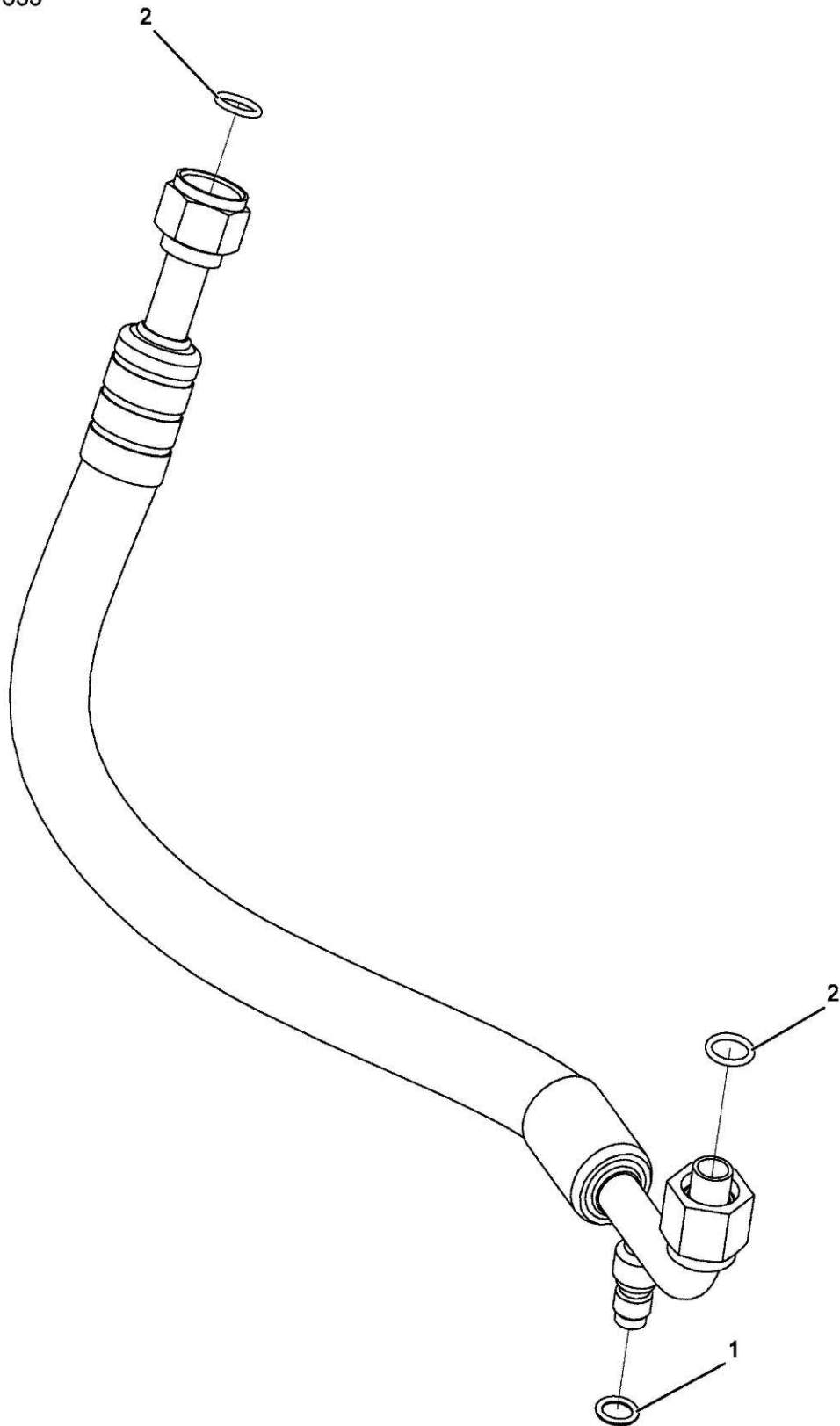


## 505678D1 - FAN BLOWER KIT

---

ITEM	PART NUMBER	QTY	DESCRIPTION COMMENTS	TECHNICAL SPECIFICATION
3	501144D2	1	SEAL REPLACEMENT SEALS FOR HVAC CASE ASSEMBLY	
	501145D2	1	SEAL REPLACEMENT SEALS FOR HVAC CASE ASSEMBLY	
	504917D1	1	FAN SERVICED AS A COMPLETE UNIT ONLY	
	504924D1	1	FAN	
	504920D1	1	MOTOR	

534475D1-3-Y633

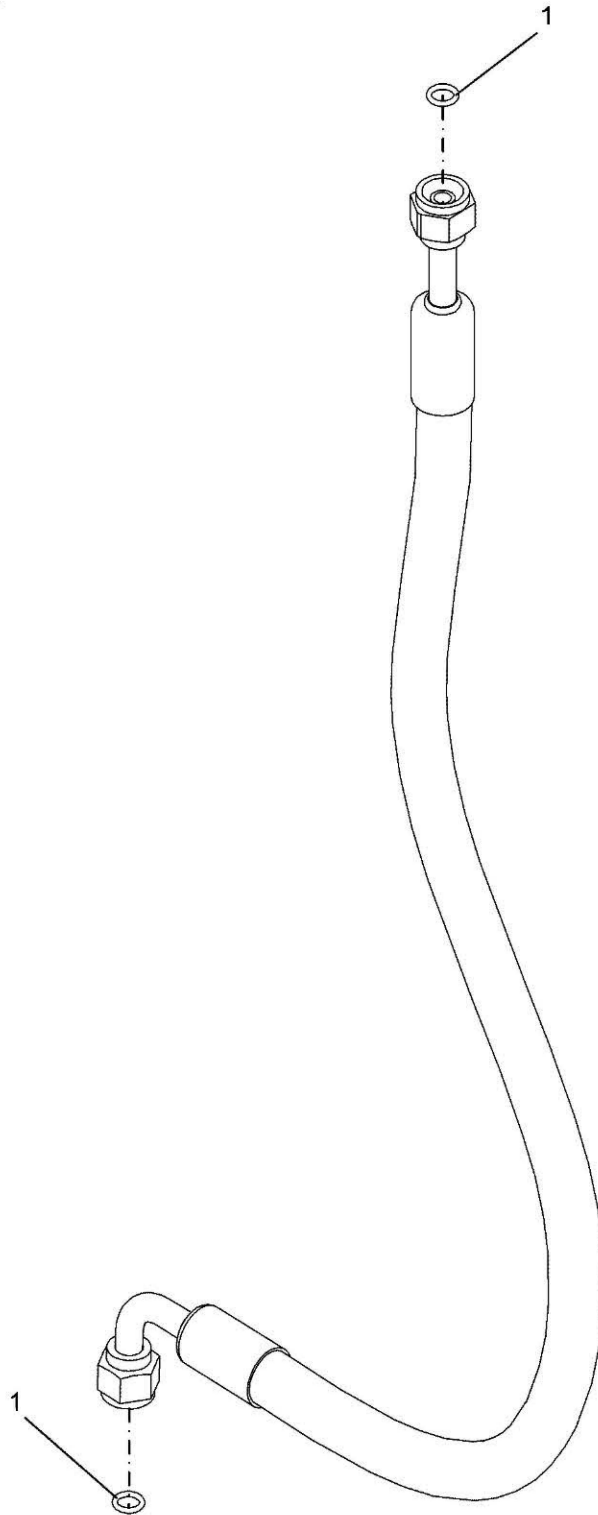


## 534475D1 - AIR CONDITIONER HOSE

---

ITEM	PART NUMBER	QTY	DESCRIPTION COMMENTS	TECHNICAL SPECIFICATION
1	CH9X-7378	1	O-RING	8.92MM ID X 1.83MM DIA
2	CH9X-7381	2	O-RING	10.82MM ID X 1.78MM

544033D1-3-Y481

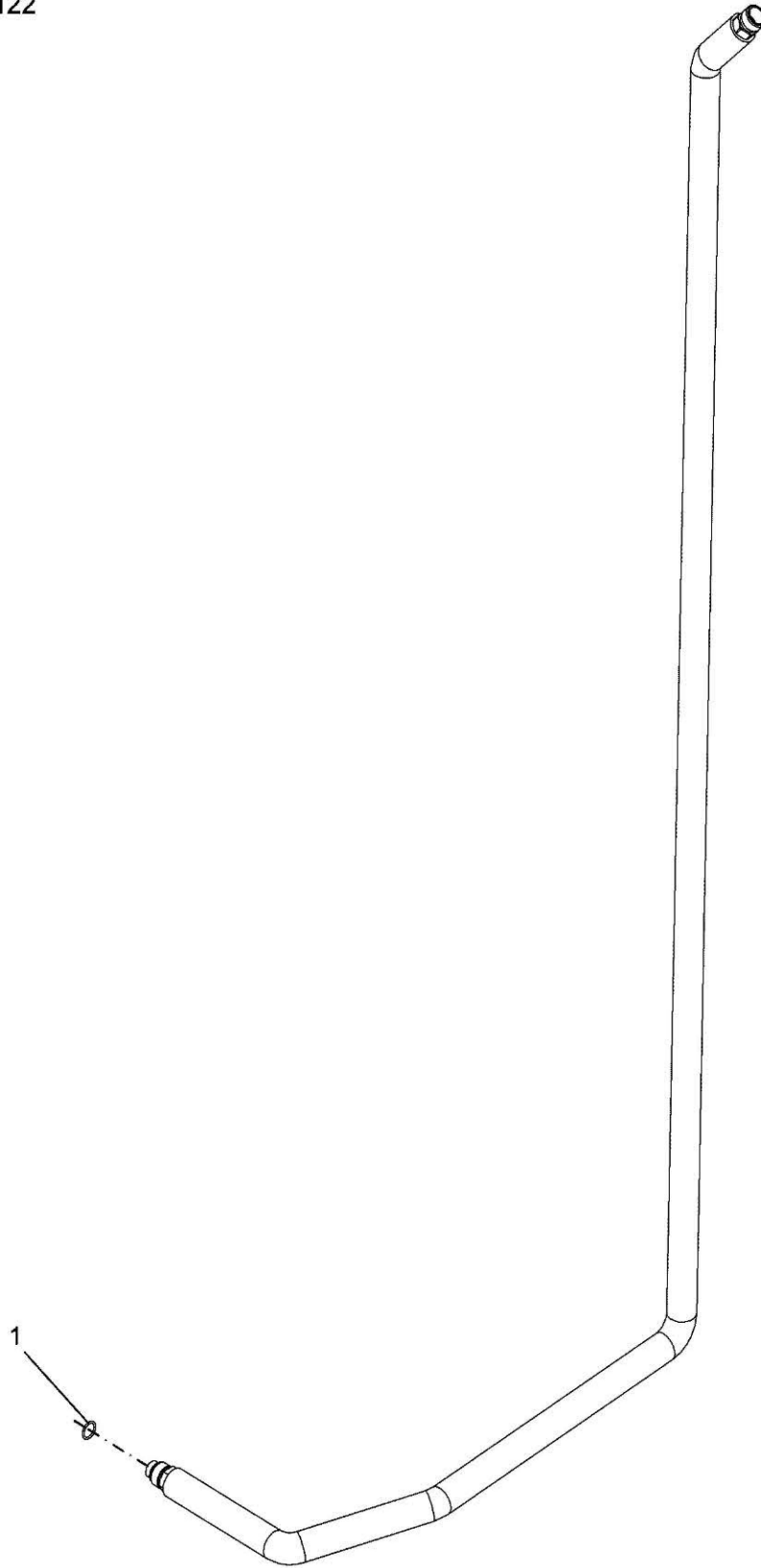


**544033D1 - AIR CONDITIONER HOSE**

---

ITEM	PART NUMBER	QTY	DESCRIPTION COMMENTS	TECHNICAL SPECIFICATION
1	CH9X-7380	2	O-RING	7.65MM ID X 1.78MM

544040D1-4-AM122

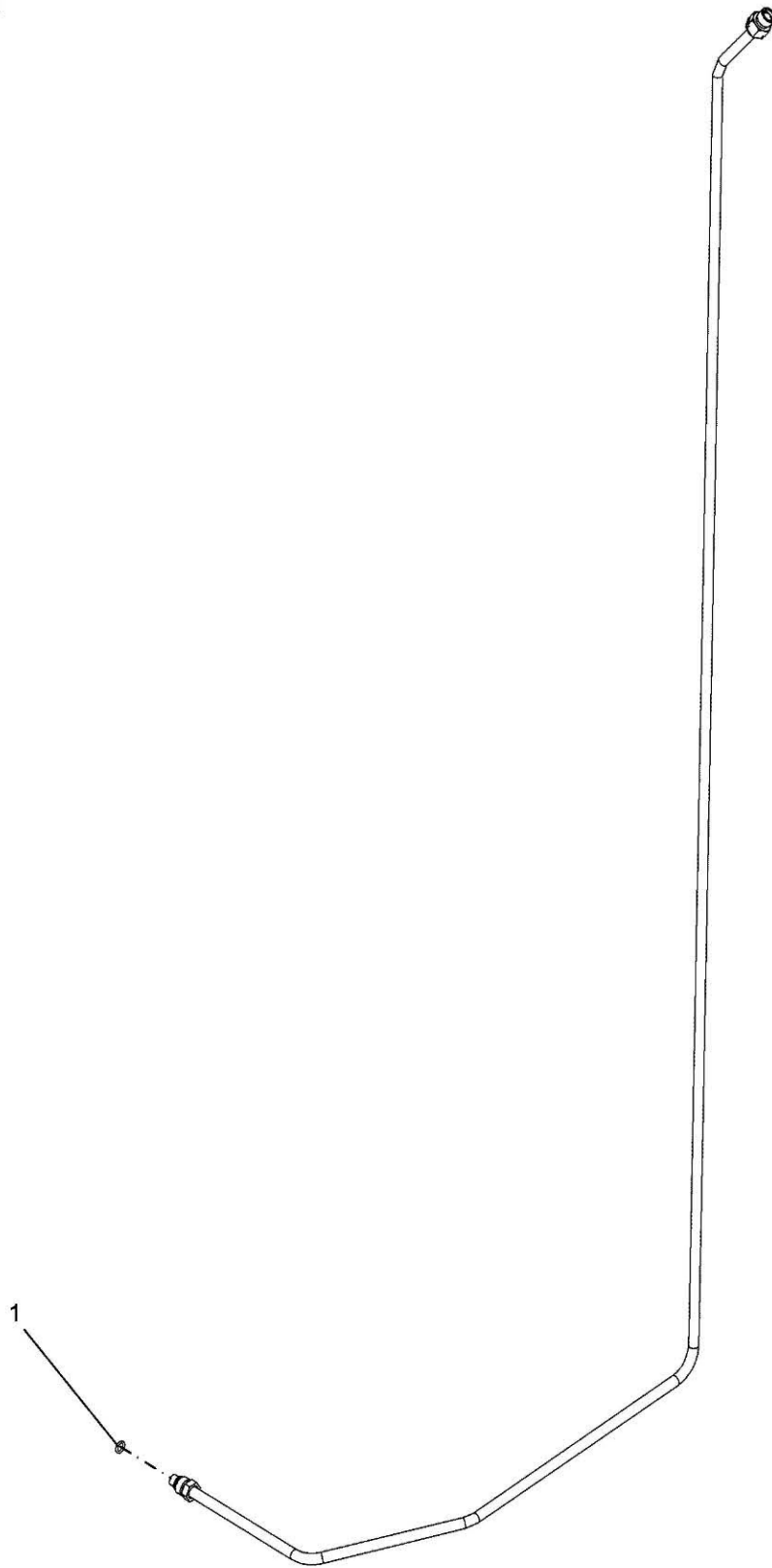


## 544040D1 - AIR CONDITIONER TUBE

---

ITEM	PART NUMBER	QTY	DESCRIPTION COMMENTS	TECHNICAL SPECIFICATION
1	CH9X-7382	1	O-RING	14MM ID X 1.78MM

544041D1-2-Y481

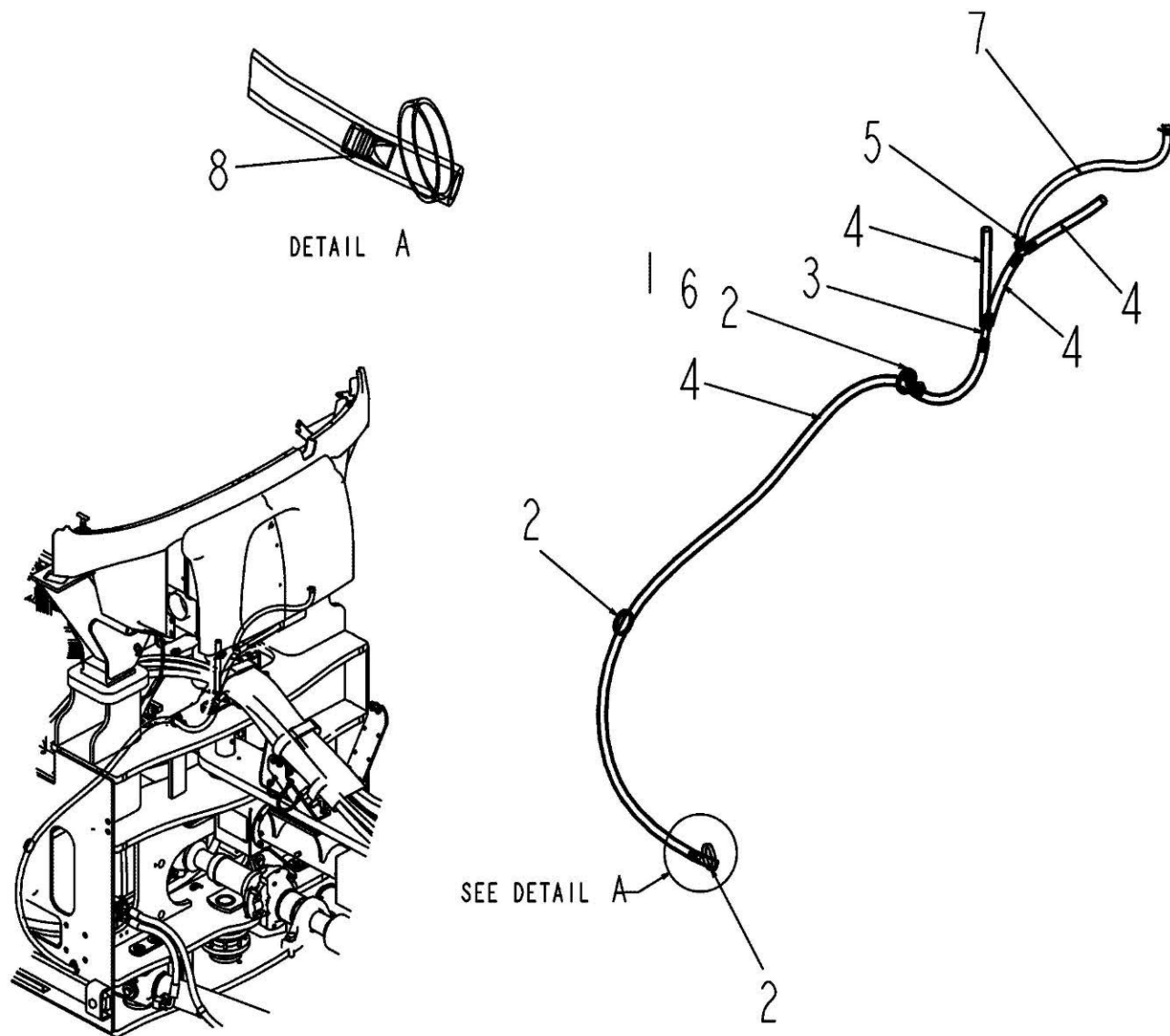


**544041D1 - AIR CONDITIONER TUBE**

---

ITEM	PART NUMBER	QTY	DESCRIPTION COMMENTS	TECHNICAL SPECIFICATION
1	CH9X-7380	1	O-RING	7.65MM ID X 1.78MM

547908D1-1-W854

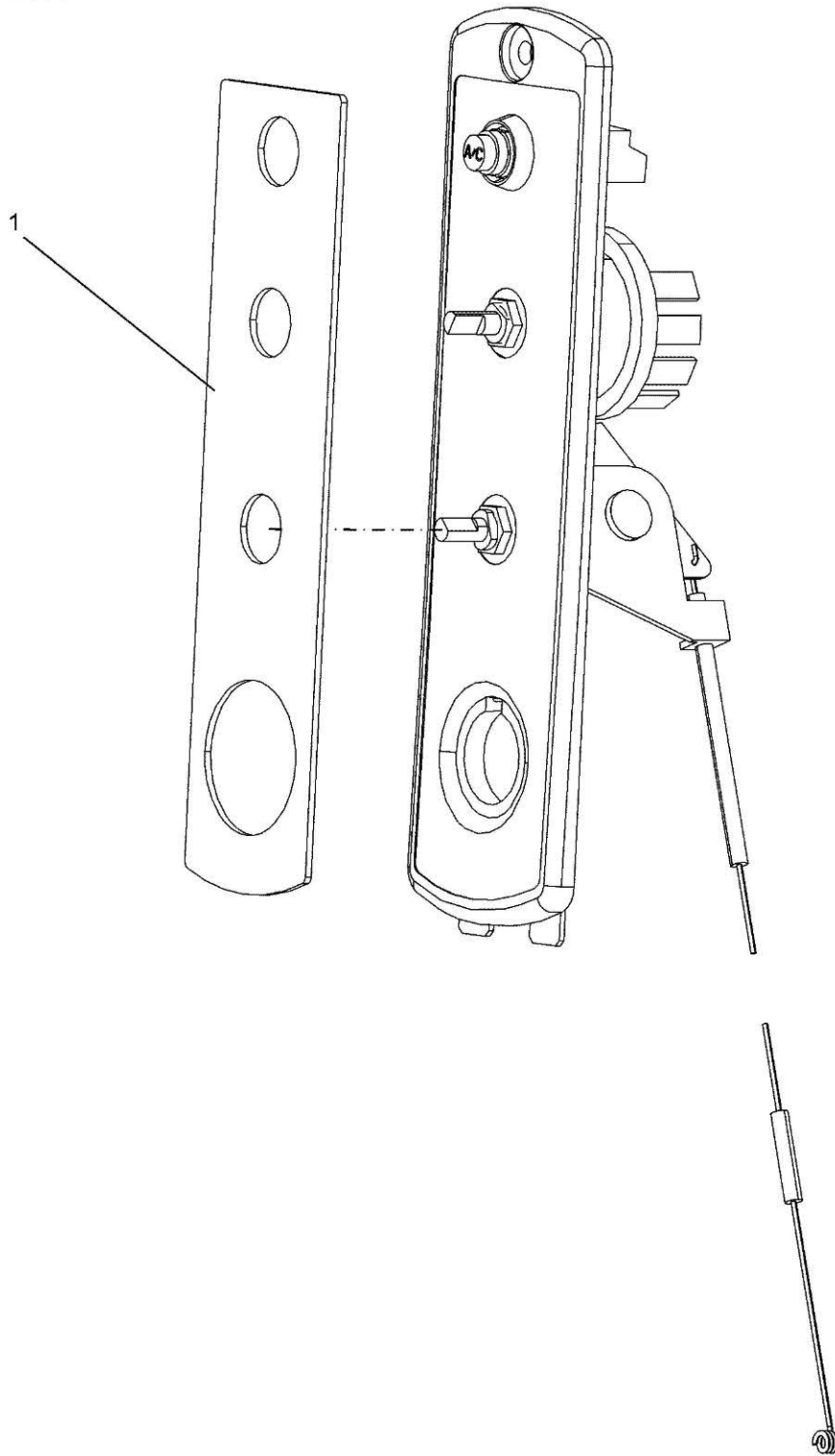


## 547908D1 - AIR CONDITIONER DRAIN LINES INSTALLATION

---

ITEM	PART NUMBER	QTY	DESCRIPTION COMMENTS	TECHNICAL SPECIFICATION
1	400054X1	1	HEXAGONAL HEAD BOLT	M10 X 1.5 X 16MM, CL10.9
2	402294X1	3	CABLE TIE	390MM X 7.6MM
3	402354X1	2	COUPLING	3 X -8 BARB, 12.7MM ID TUBE
4	547207D1		HOSE BULK: 221.500 CM	
5	CH3S-5096	2	HOSE CLAMP	
6	CH4P-8134	1	LADDER CLIP	
7	CH5P-4829		BULK TUBE BULK: 47.500 DM	12.7MM ID
8	CH7T-9793	1	CHECK VALVE	

560474D1-1-Z559

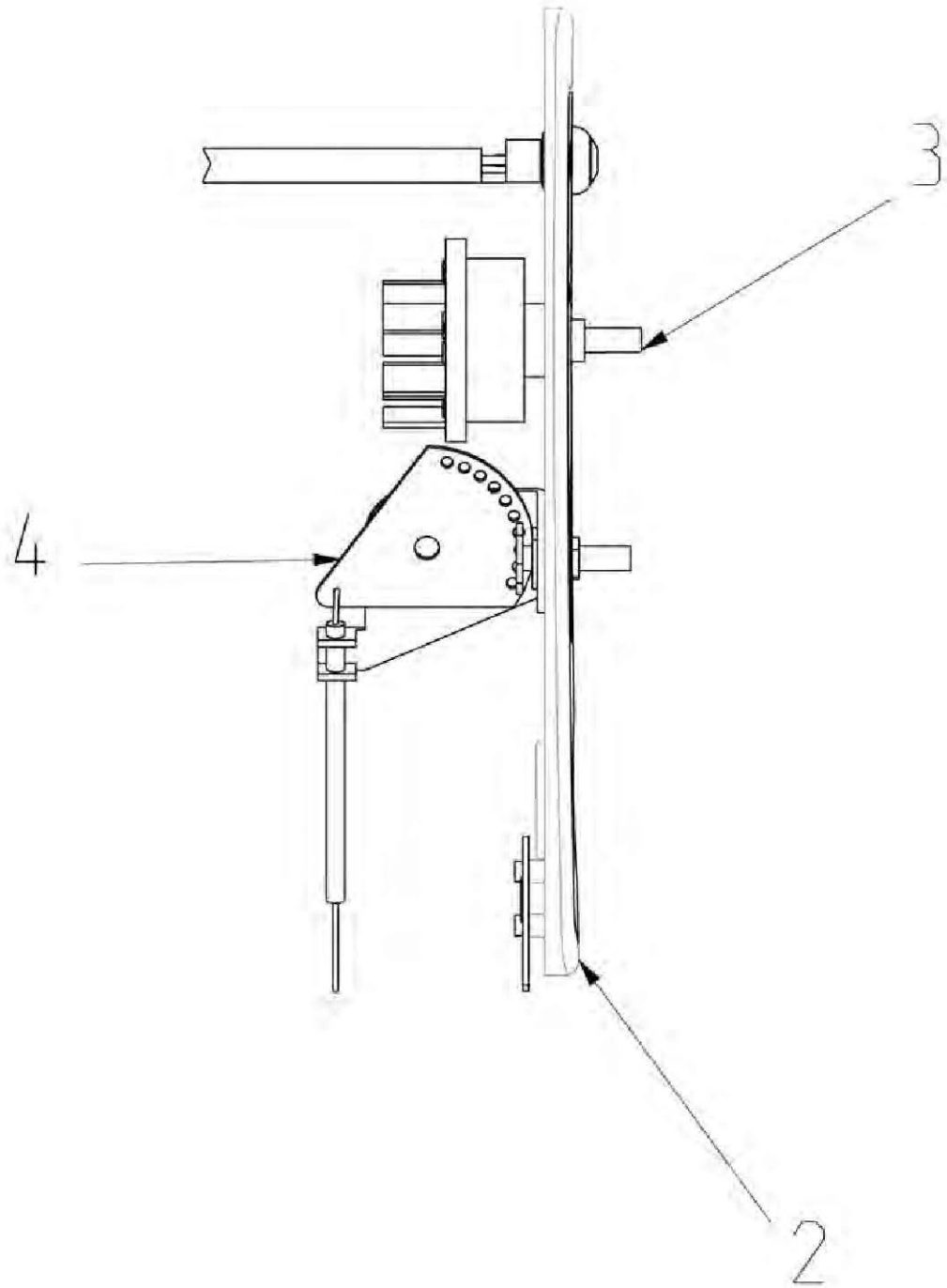


**560474D1 - BASIC AIR AND TEMPERATURE CONTROL GROUP**

---

ITEM	PART NUMBER	QTY	DESCRIPTION COMMENTS	TECHNICAL SPECIFICATION
1	560475D1	1	LABEL BASIC CONTROL PANEL	

597149D1-1

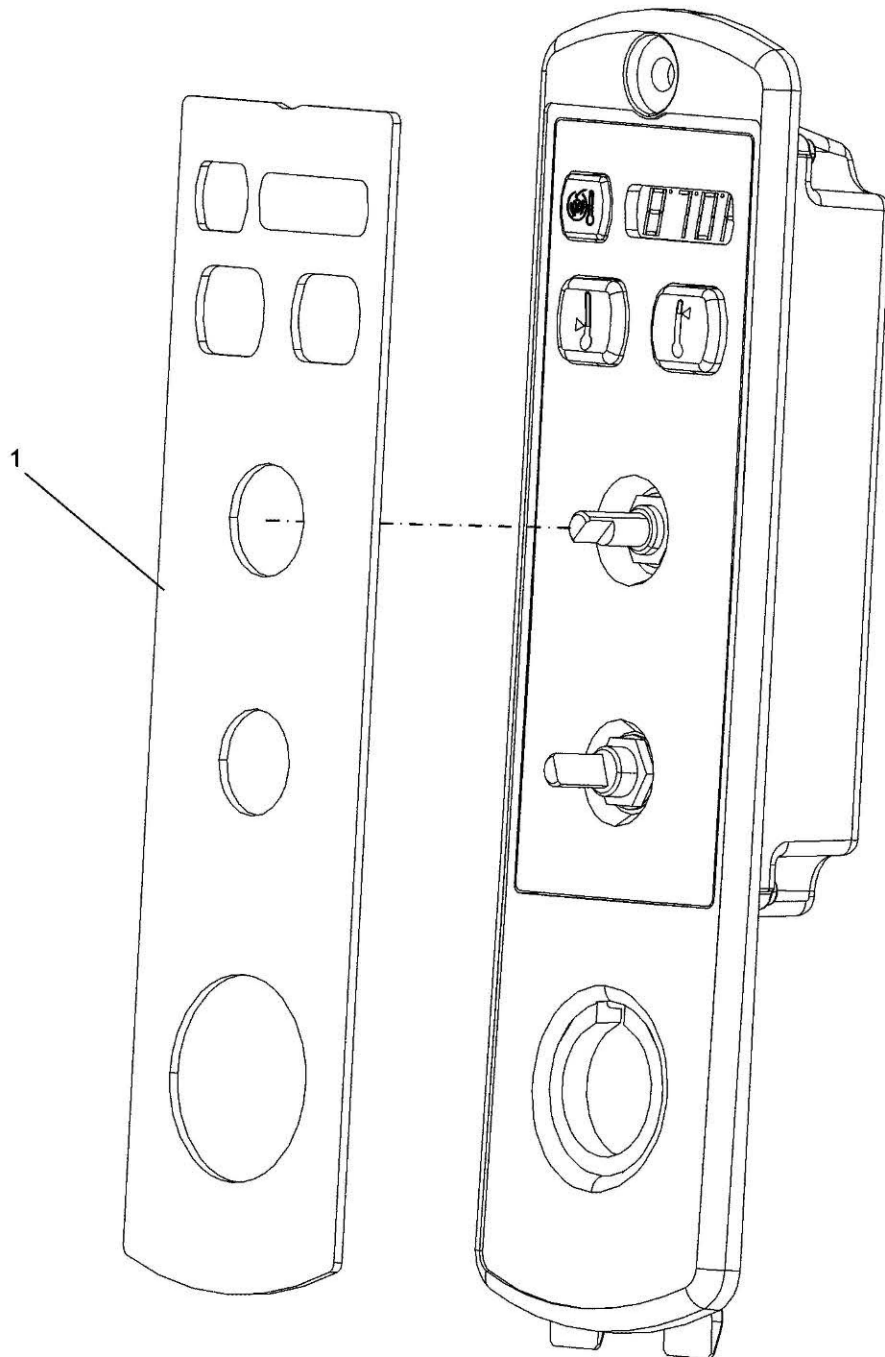


**597149D1 - BASIC AIR AND TEMPERATURE CONTROL GROUP**

---

ITEM	PART NUMBER	QTY	DESCRIPTION COMMENTS	TECHNICAL SPECIFICATION
	512554D1	1	WIRE HARNESS HARNESS NOT SHOWN FOR CLARITY	
2	598030D1	1	CONTROL PANEL	W/SWITCH
3	CH157-0217	1	ROTARY SWITCH	
4	CH208-6662	1	CABLE	

560476D1-1-Z559

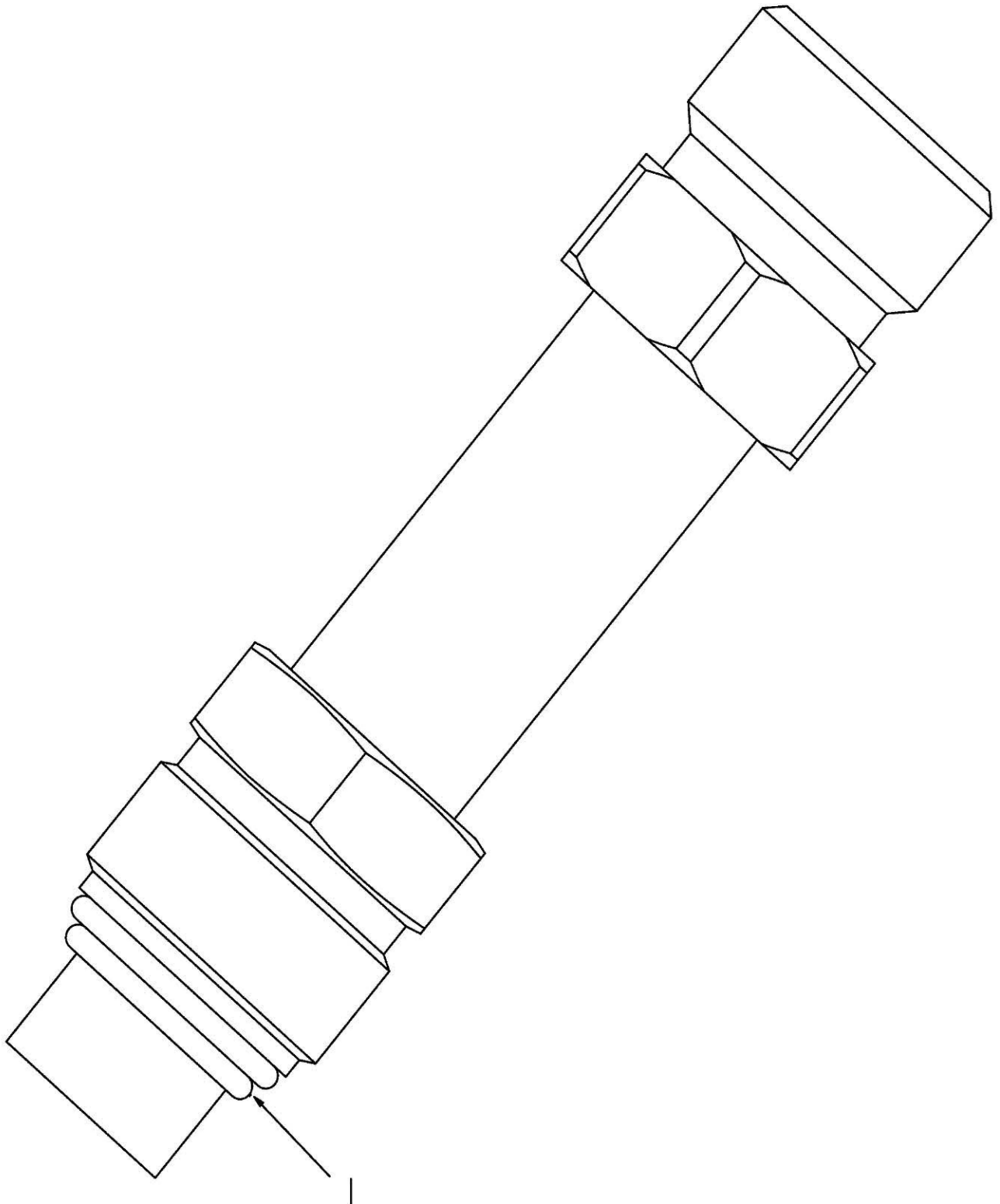


**560476D1 - DELUXE AIR AND TEMPERATURE CONTROL GROUP**

---

ITEM	PART NUMBER	QTY	DESCRIPTION COMMENTS	TECHNICAL SPECIFICATION
1	560477D1	1	LABEL ATC	

555105D1-2-Y957

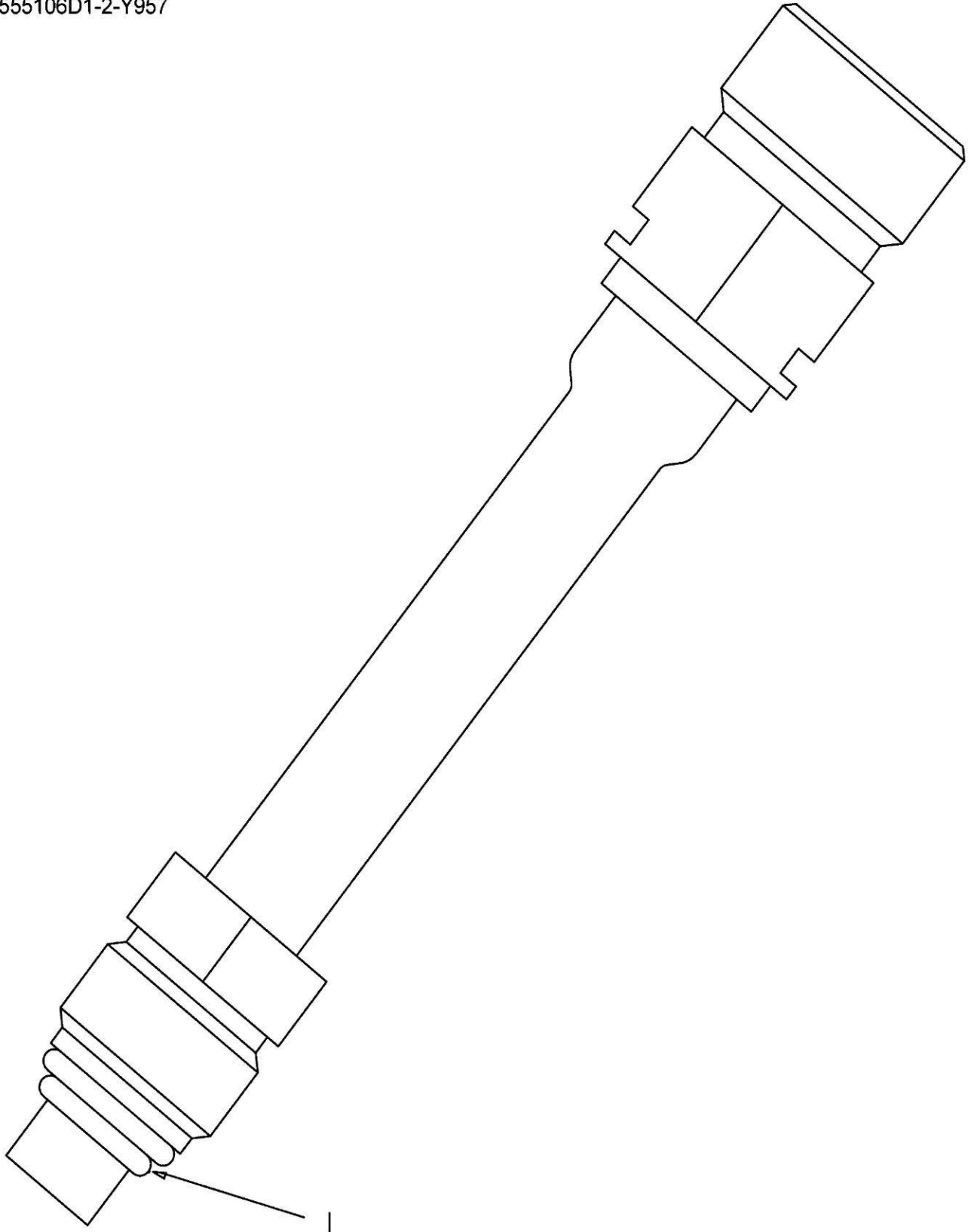


**555105D1 - TXV ADAPTER TUBE ASSEMBLY**

---

ITEM	PART NUMBER	QTY	DESCRIPTION COMMENTS	TECHNICAL SPECIFICATION
1	CH9X-7382	1	O-RING	14MM ID X 1.78MM

555106D1-2-Y957

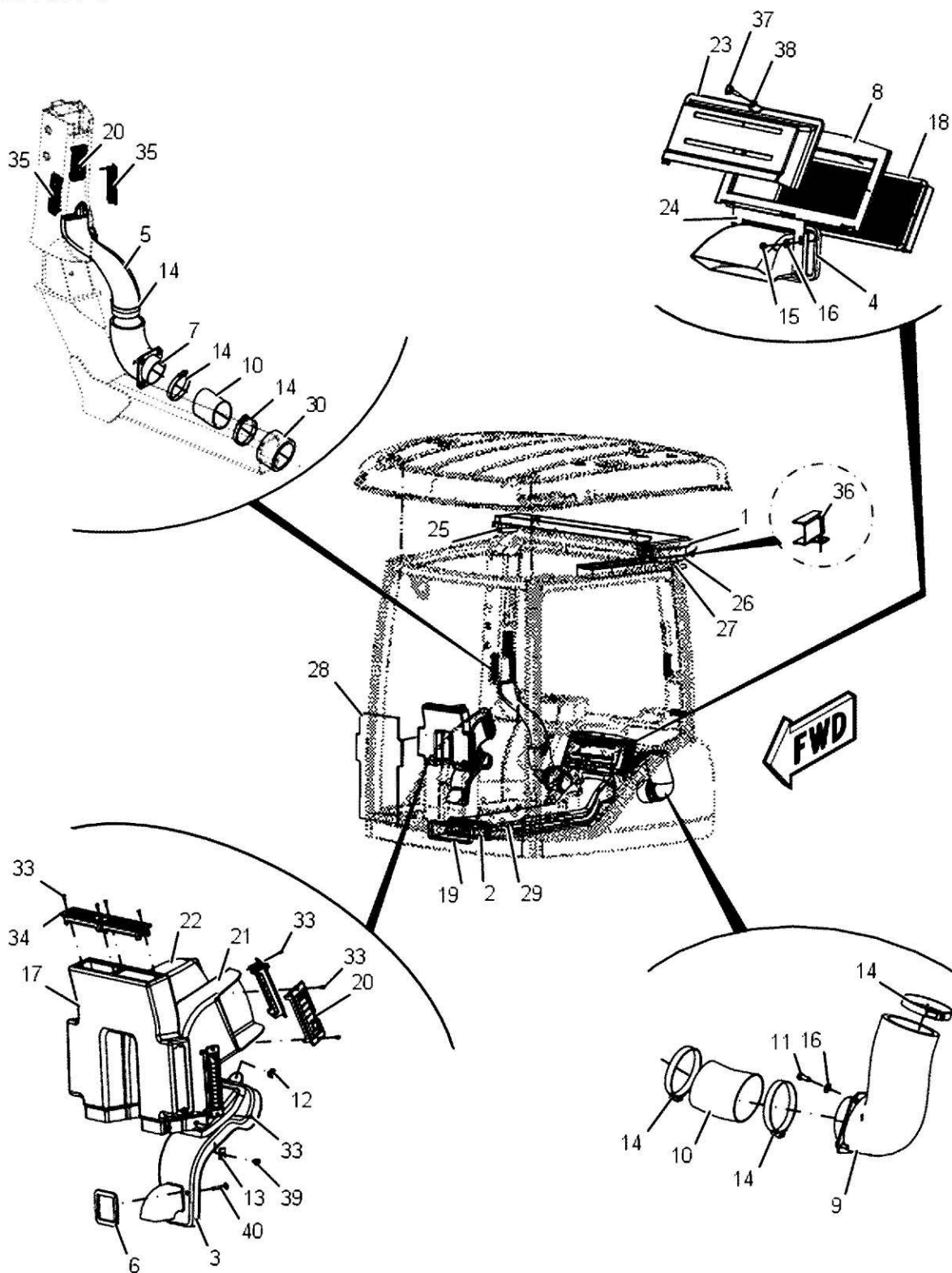


## 555106D1 - TXV ADAPTER TUBE ASSEMBLY

---

ITEM	PART NUMBER	QTY	DESCRIPTION COMMENTS	TECHNICAL SPECIFICATION
1	CH9X-7380	1	O-RING	7.65MM ID X 1.78MM

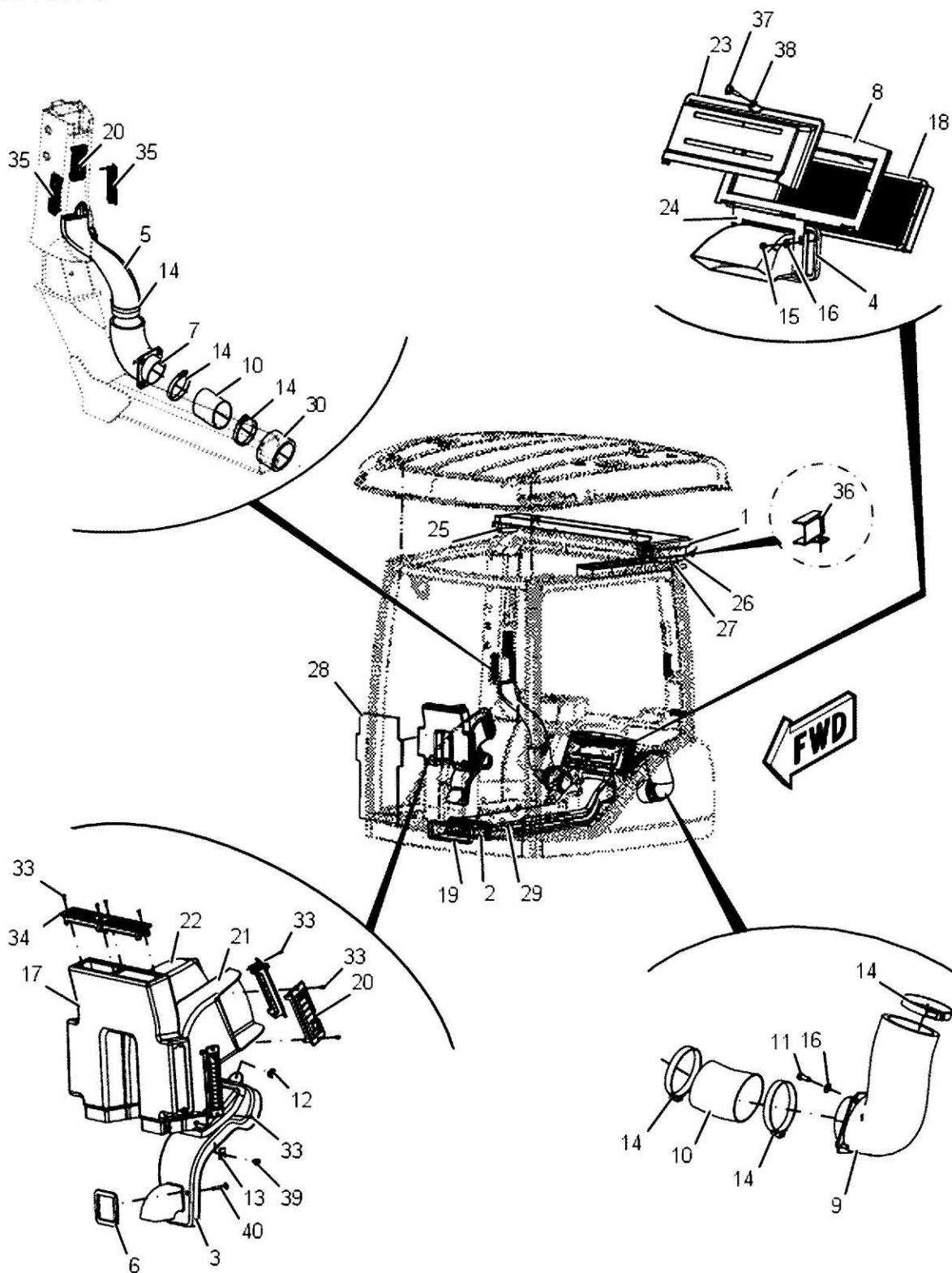
522718D1-6



**522718D1 - FILTER DUCT GROUP**

ITEM	PART NUMBER	QTY	DESCRIPTION COMMENTS	TECHNICAL SPECIFICATION
	AG523200	X	PRIMER USE AS REQUIRED NOT SHOWN	
1	162-6691	1	AIR DUCT ROOF	
2	166-4617	1	AIR DUCT CENTER	
3	169-6337	1	AIR DUCT FRONT, LOWER	
4	178-7974	1	GASKET	
5	180-5239	1	AIR DUCT	
6	187-4906	1	GASKET	
7	201-1186	1	ADAPTER, RIGHT HAND SEE PAGE 11-0031	
	210-3258	1	ADAPTER	
	CH203-6970	1	CLAMP	
	210-3292	1	GASKET	
	586132D1	1	AIR DUCT NOT ILLUSTRATED	INSULATED
	585312D1	1	INSULATION NOT SHOWN	HVAC
8	202-0848	1	FILTER COVER	
9	203-6965	1	ADAPTER SEE PAGE 11-0030	
	210-3258	1	ADAPTER	
	210-3292	1	GASKET	
	CH203-6970	1	CLAMP	
	586131D1	1	AIR DUCT	INSULATED
	CH203-6970	1	CLAMP	
	203-6968	1	HOSE	
10	203-6966	2	HOSE	
11	400053X1	8	HEXAGONAL HEAD BOLT	M8 X 1.25 X 20MM, CL10.9
12	400084X1	1	U-NUT	M4 X 0.7
13	400085X1	4	U-NUT	M6 X 1
14	400127X1	6	HOSE CLAMP	95-118MM ID RANGE
15	400340X1	4	HEX NUT	M8 X 1.25MM X 13MM
16	400599X1	12	FLAT WASHER	M8 X 20.5MM OD X 2MM THK
17	500445D1	1	AIR DUCT FRONT	
18	501153D1	1	AIR FILTER CAB RECIRCULATING AIR FILTER	
	501210D1	1	GASKET NOT SHOWN	
20	501826D1	7	LOUVRE	
21	522720D1	1	AIR DUCT	
22	522721D1	1	AIR DUCT	
23	523036D1	1	FILTER COVER	
24	524150D2	1	BRACKET	

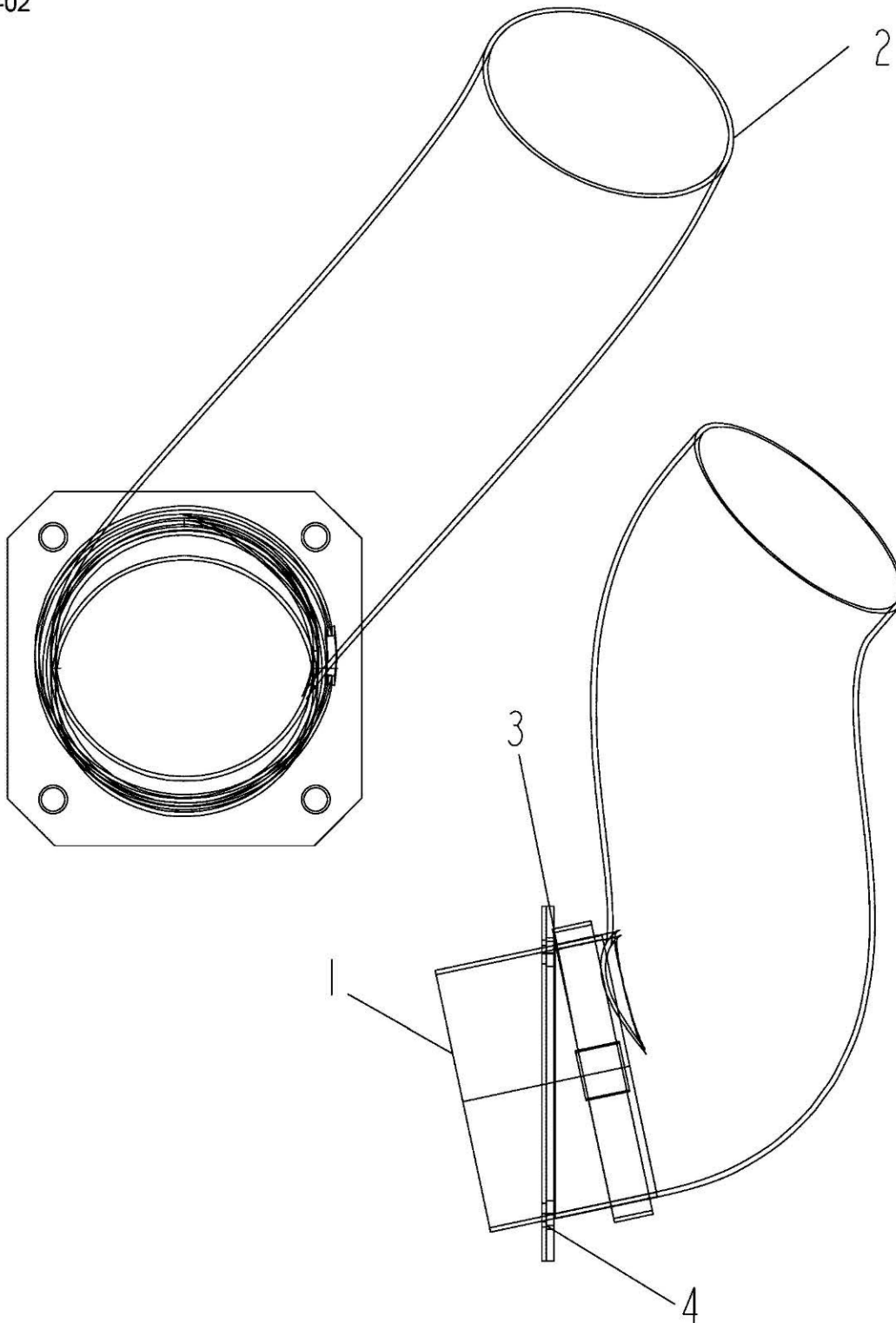
522718D1-6



**522718D1 - FILTER DUCT GROUP**

ITEM	PART NUMBER	QTY	DESCRIPTION COMMENTS	TECHNICAL SPECIFICATION
25	524841D1	4	FOAM SEAL CAB ROOF	
26	524842D1	1	FOAM SEAL CAB ROOF	
27	570072D1	1	AIR FILTER CAB AIR INTAKE FILTER	65.4MM X 739.9MM
	501241D1	1	AIR FILTER ELEMENT REPLACEMENT OPTIONAL EQUIPMENT	CARBON
28	579720D2	1	INSULATION	FRT CONSOLE
29	580200D2	1	INSULATION	TUNNEL
30	580203D1	1	INSULATION	
33	CH104-2091	30	FLAT HEAD SCREW	#6-20 X 12.7MM
34	CH164-8478	1	LOUVRE DOUBLE	
35	CH171-4047	6	LOUVER	
36	CH2R-2376	1	FLAT WASHER	6.7MM ID X 15.9MM OD X 0.64MM
37	CH210-4352	4	SELF-TAPPING SCREW	#14-15 X 18.1MM
38	CH216-9165	1	THUMB SCREW	
39	CH9X-2044	4	TORX HEAD SCREW	M6 X 1 X 16MM, T30
40	CH9X-2046	2	TORX HEAD SCREW	M6 X 1 X 35MM

203-6965-02

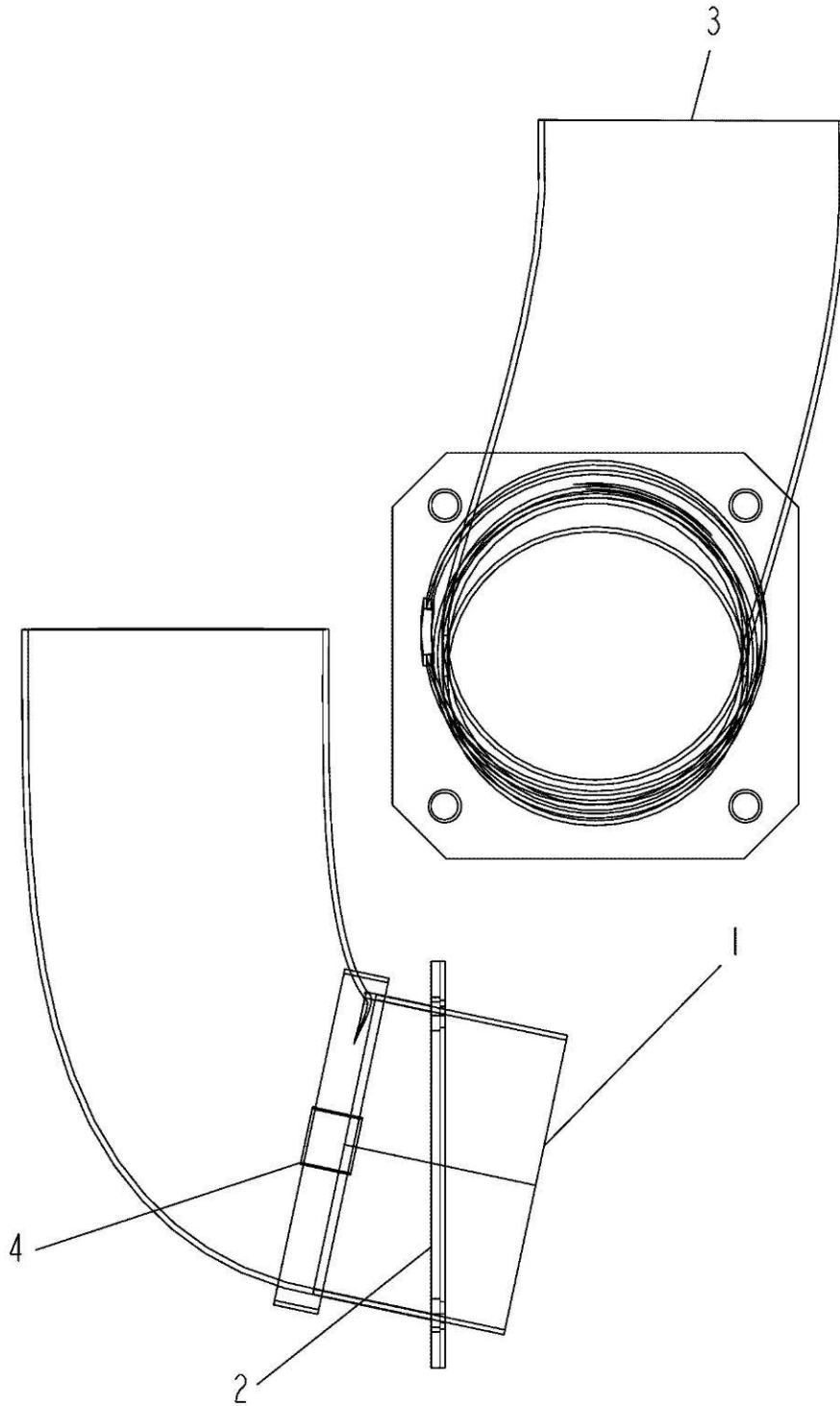


**203-6965 - ADAPTER, LEFT HAND**

---

ITEM	PART NUMBER	QTY	DESCRIPTION COMMENTS	TECHNICAL SPECIFICATION
1	210-3258	1	ADAPTER	
2	586131D1	1	AIR DUCT	INSULATED
3	CH203-6970	1	CLAMP	
4	210-3292	1	GASKET	

201-1186-02

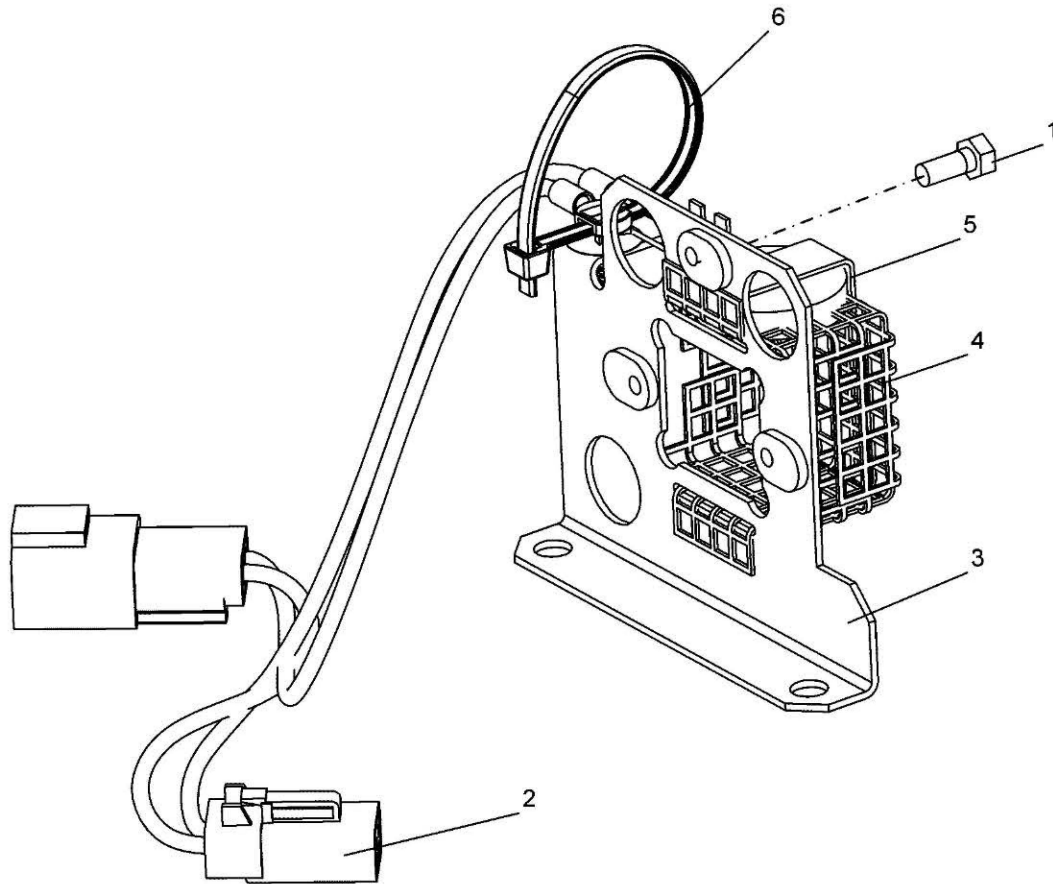


**201-1186 - ADAPTER, RIGHT HAND**

---

ITEM	PART NUMBER	QTY	DESCRIPTION COMMENTS	TECHNICAL SPECIFICATION
1	210-3258	1	ADAPTER	
2	210-3292	1	GASKET	
3	586132D1	1	AIR DUCT	INSULATED
4	CH203-6970	1	CLAMP	

502267D1-2-Z415

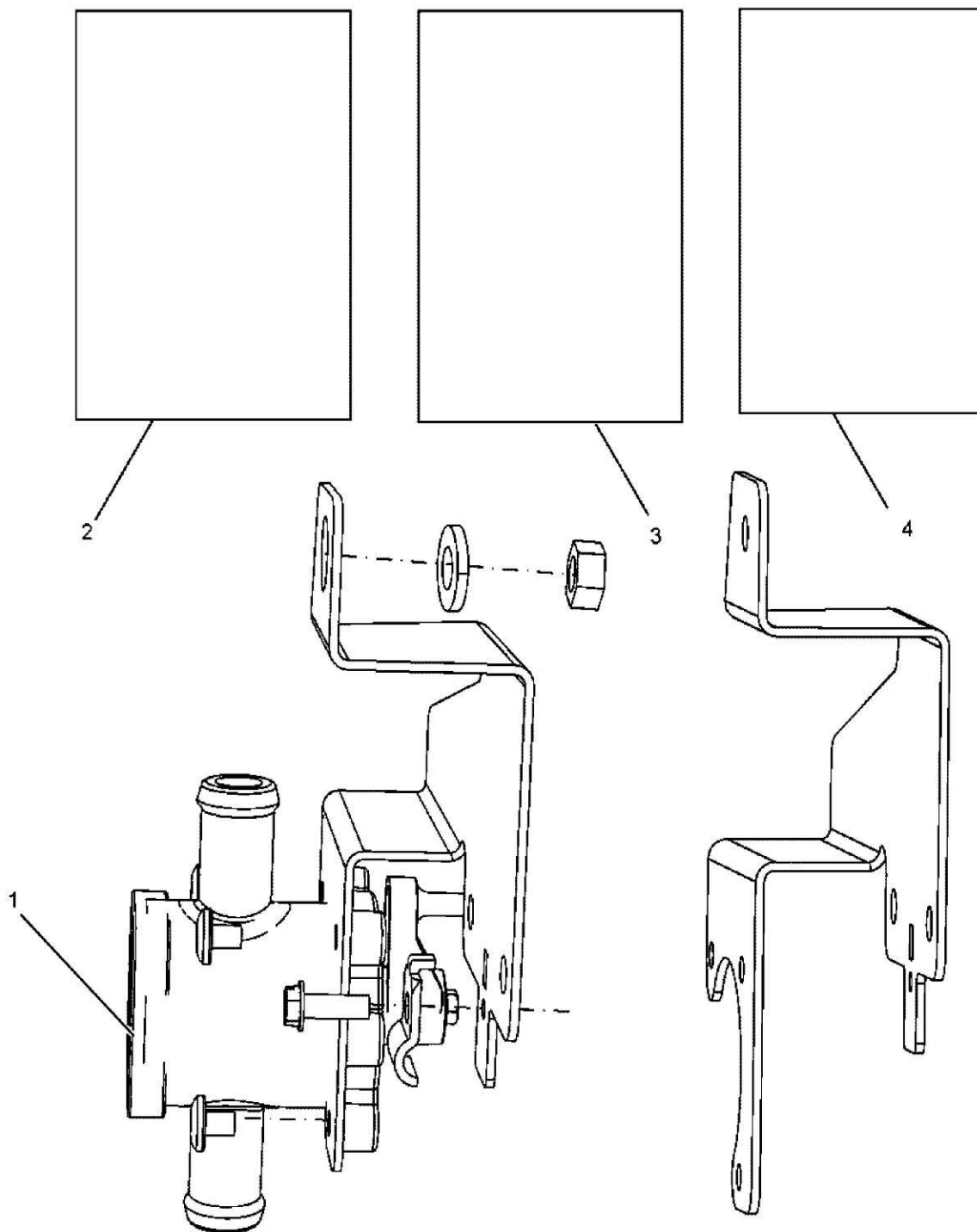


**502267D1 - THERMISTOR KIT**

---

ITEM	PART NUMBER	QTY	DESCRIPTION COMMENTS	TECHNICAL SPECIFICATION
1	400302X1	1	HEXAGONAL HEAD BOLT	M5 X .8 X 12MM, CL10.9
2	502071D1	1	WIRE HARNESS	
3	502268D1	1	BRACKET	
4	502269D1	1	GUARD RELAY	
5	502270D1	1	RETAINER	
6	543965D1	1	CABLE TIE MOUNT TREE MOUNT	6.3"

562805D1-2-AA010

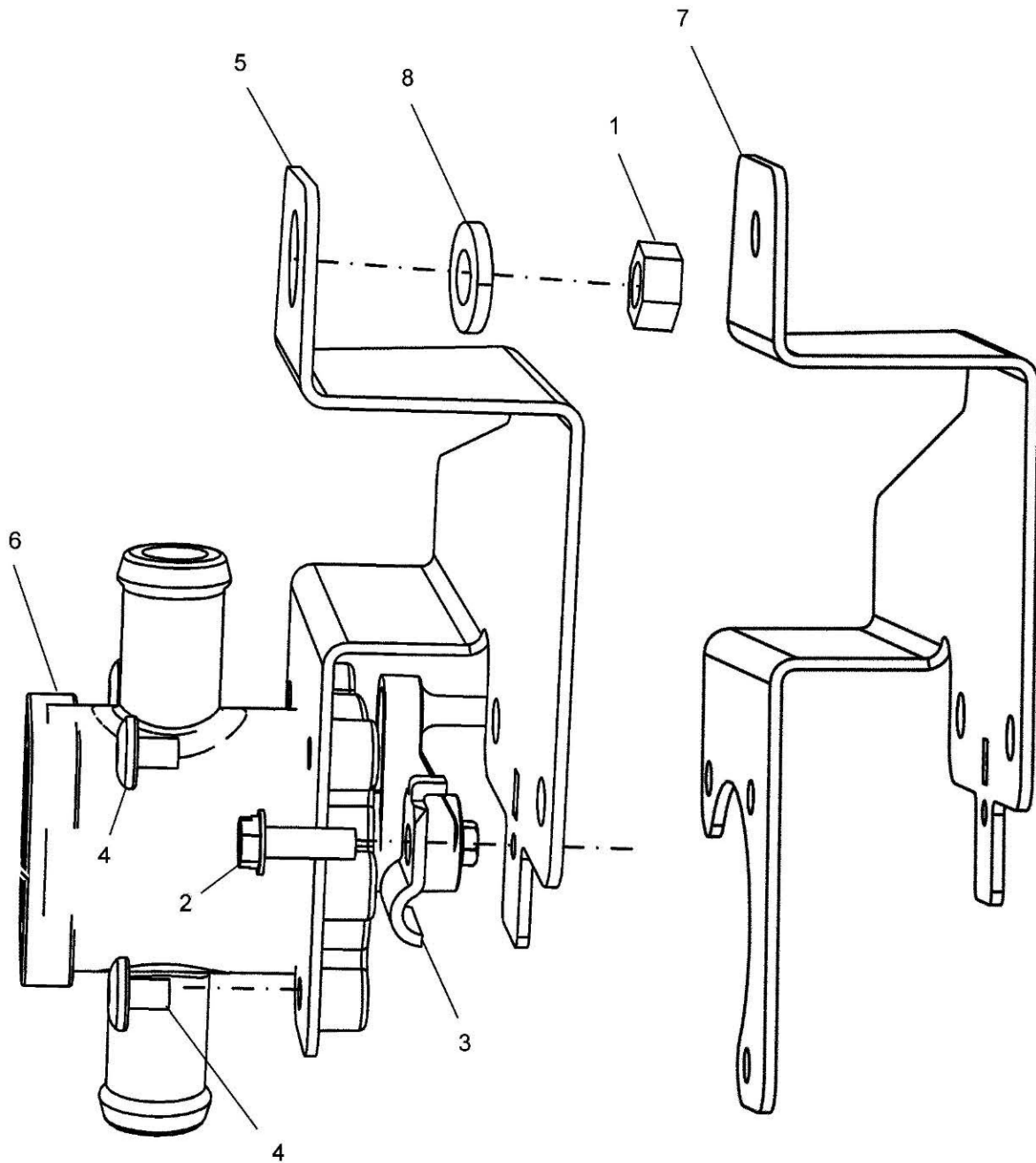


**562805D1 - MANUAL WATER VALVE KIT**

---

ITEM	PART NUMBER	QTY	DESCRIPTION COMMENTS	TECHNICAL SPECIFICATION
			<b>APPLIES TO ALL TRACTORS WITH BASIC HVAC.</b>	
1	NS	1	NON-SERVICEABLE PART SEE PAGE 11-0034	
2	562806D1	1	INSTRUCTIONS	ENGLISH
3	562807D1	REF	INSTRUCTIONS	FRENCH
4	562808D1	REF	INSTRUCTIONS	SPANISH

562804D1-3-AA010

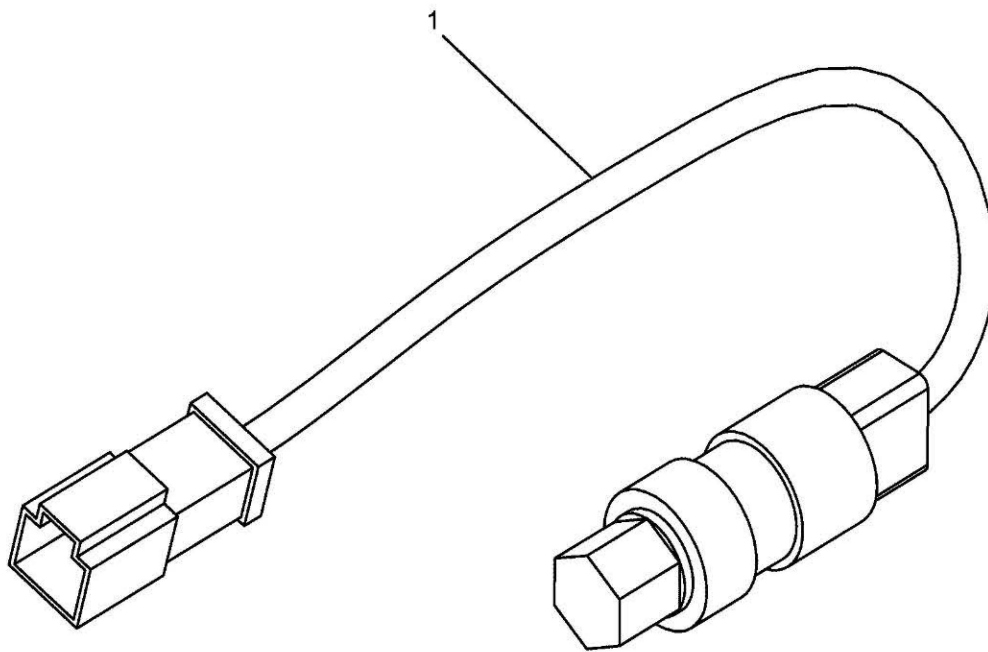


## 562804D1 - MANUAL WATER VALVE INSTALLATION

---

ITEM	PART NUMBER	QTY	DESCRIPTION COMMENTS	TECHNICAL SPECIFICATION
1	400300X1	1	HEX NUT	M6 X 1
2	400305X1	1	SELF-TAPPING SCREW	#8-32 X 1/2"
3	402495X1	1	CABLE CLIP	
4	402622X1	3	TORX HEAD BOLT	#8-16 X 7MM
5	552955D1	1	BRACKET	
6	560588D1	1	VALVE WATER	
7	562809D1	1	WATER VALVE BRACKET	
8	CH8T-4205	1	FLAT WASHER	7.2MM X 14.5MM X 2MM

559895D1-1-Z443



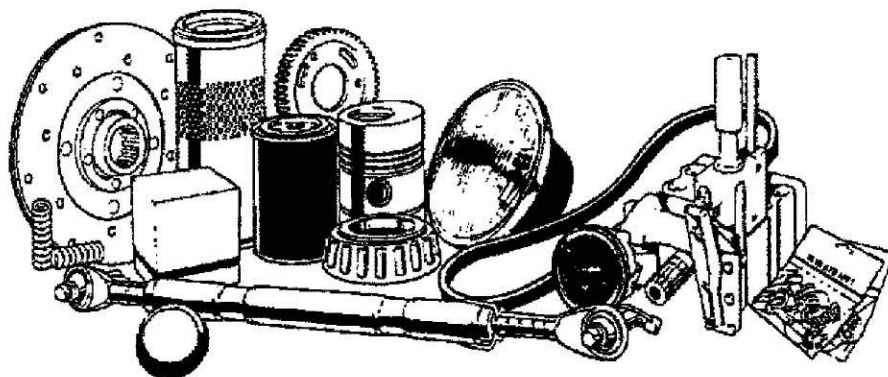
**559895D1 - PRESSURE SWITCH ASSEMBLY**

---

ITEM	PART NUMBER	QTY	DESCRIPTION COMMENTS	TECHNICAL SPECIFICATION
1	CH102-8802	1	CONNECTOR REPAIR KIT	

539951D1-01-W366

**Please refer to the  
Bill Of Material  
on the opposite page  
for related Installations,  
Assemblies, or Parts**

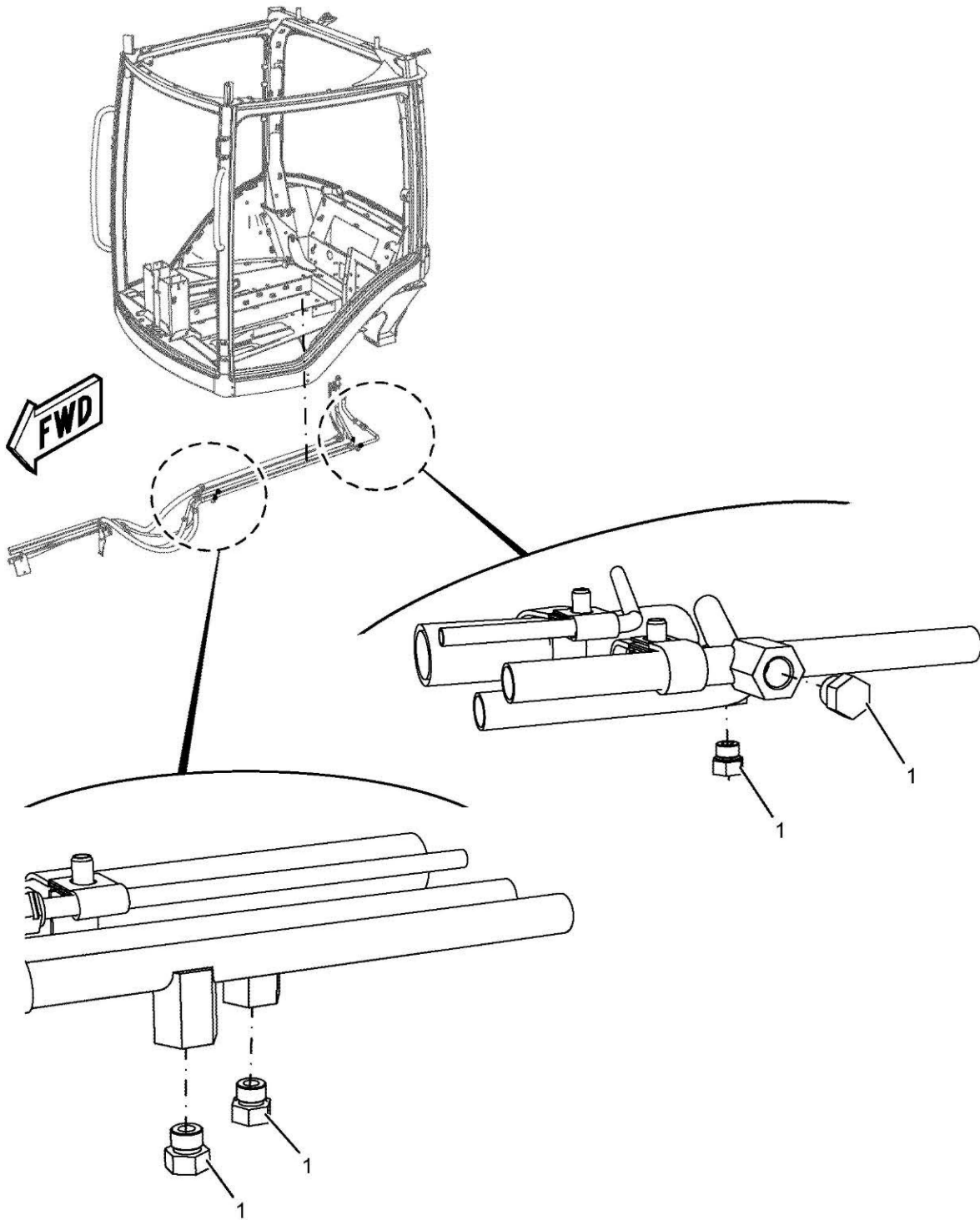


**539951D1 - PARTS BAG**

---

ITEM	PART NUMBER	QTY	DESCRIPTION COMMENTS	TECHNICAL SPECIFICATION
	WR37063		ADAPTER DOUBLE	2.50"
	539985D1		LOCK	10-24X1/4
	539988D1		TIE	
	WR37064		AIR DUCT	24"
	WR36329		ADAPTER	2 1/2"
	AG550493		LOCK WASHER	1/4"
	WR36347		GROMMET RUBBER	1"ID X 1.375" OD X 0.109"
	WR23568		FLAT WASHER	1/4 ID SS
	AG550485		HEXAGONAL HEAD BOLT	1/4"-20 X 3/4", GR5

593455D1-2-01



**593455D1 - PLUG GROUP - 2017**

---

ITEM	PART NUMBER	QTY	DESCRIPTION COMMENTS	TECHNICAL SPECIFICATION
1	400612X1	4	2017 HEX HEAD PLUG	-6 STOR